

lěvoit

USER MANUAL

True HEPA Air Purifier

Model: LV-PUR131

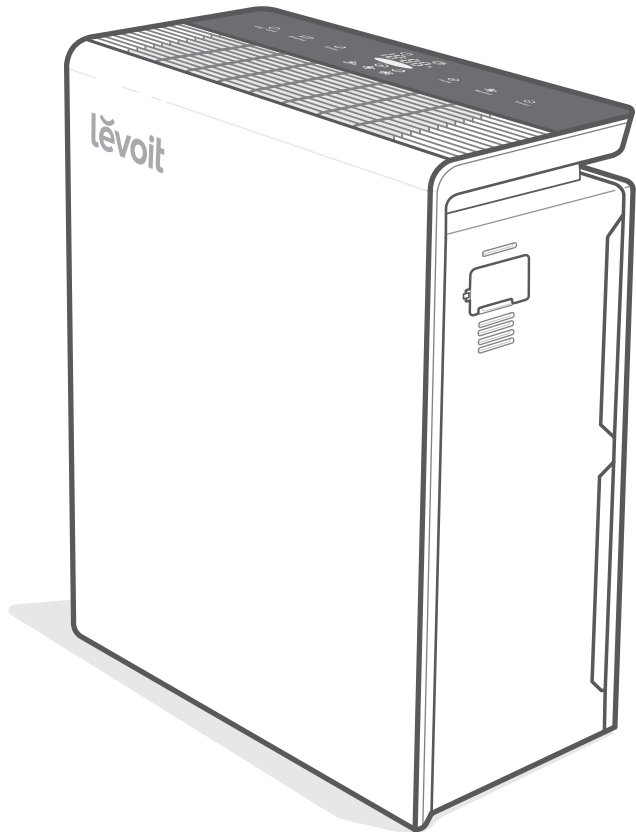
EN

DE

FR

ES

IT



Questions or Concerns?

Please contact us at support.eu@levoit.com.

EN Table of Contents

Package Contents	4
Specifications	4
Safety Information	5
Getting to Know Your Air Purifier	6
Controls	7
Getting Started	8
Using Your Air Purifier	9
About the Filters	10
Care & Maintenance	11
Troubleshooting	14
Warranty Information	16
Customer Support	16

FR Table des matières

Contenu de l'emballage	33
Caractéristiques techniques	33
Consignes de sécurité	34
Découverte de votre purificateur d'air	35
Commandes	36
Prise en main	37
Utilisation de votre purificateur d'air	38
À propos des filtres	40
Nettoyage et maintenance	41
Dépannage	45
Informations relatives à la garantie	47
Service client	47

IT Indice

Contenuto della confezione	63
Specifiche	63
Informazioni di sicurezza	64
Componenti del purificatore d'aria	65
Comandi	66
Preparazione	67
Uso del purificatore d'aria	68
I filtri	70
Cura e manutenzione	71
Risoluzione dei problemi	74
Informazioni sulla garanzia	76
Assistenza Clienti	76

DE Inhaltsverzeichnis

Lieferumfang	17
Technische Daten	17
Sicherheitshinweise	18
Ihr Luftreiniger	20
Bedienungstasten	21
Erste Schritte	22
Der Gebrauch Ihres Luftreinigers	23
Die Filter	25
Pflege und Wartung	26
Problemlösung	30
Garantie	32
Kundendienst	32

ES Índice

Contenido de la caja	48
Especificaciones	48
Información de seguridad	49
Componentes del purificador de aire	50
Controles	51
Primeros pasos	52
Usar el purificador de aire	53
Información sobre los filtros	55
Cuidado y mantenimiento	56
Solución de problemas	60
Información sobre la garantía	62
Atención al Cliente	62

READ AND SAVE THESE INSTRUCTIONS

Package Contents

- 1 x Air Purifier
- 1 x Activated Carbon Filter (Pre-Installed)
- 1 x Preliminary/True HEPA Combination Filter (Pre-Installed)
- 1 x User Manual

Specifications

Power Supply	AC 220–240V, 50/60Hz
Rated Power	40W
Effective Range	≤ 48 m ² / 516 ft ²
Operating Conditions	-10°–40°C / 14°–104°F
Noise Level	23–52dB
Clean Air Delivery Rate (CADR)	230 m ³ /h / 135 CFM
Standby Power	< 0.8W
Dimensions	371 x 18.3 x 47 cm / 14.6 x 7.2 x 18.5 in
Weight	5.21 kg / 11.49 lb

SAFETY INFORMATION

To reduce the risk of fire, electric shock, or other injury, follow all instructions and safety guidelines.

General Safety

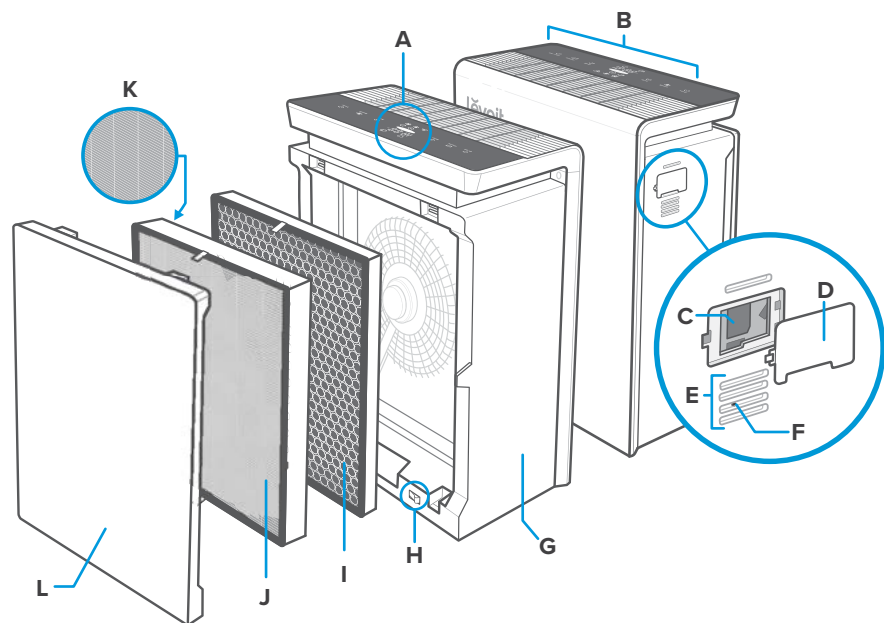
- **Only** use your air purifier as described in this manual.
- **Do not** use your air purifier outdoors.
- Keep your air purifier away from water, and wet or damp areas. **Never** place in water or liquid.
- Keep your air purifier away from heat sources.
- **Do not** use where combustible gases, vapours, metallic dust, aerosol (spray) products, or fumes from industrial oil are present.
- Keep 1.5 m / 5 ft away from where oxygen is being administered.
- Supervise children when they are near the air purifier.
- **Do not** place anything into any opening on the air purifier, unless directed by the manual.
- **Do not** sit or place heavy objects on the air purifier.
- Keep the inside of the air purifier dry. To prevent moisture buildup, avoid placing in rooms with major temperature changes or underneath air conditioners.
- **Always** unplug your air purifier before servicing (such as when changing filters).
- **Do not** use your air purifier if it is damaged or not working correctly, or if the cord or plug is damaged. **Do not** try to repair it yourself. Contact **Customer Support** (see page 16).
- **WARNING:** To reduce the risk of fire or electric shock, **do not** use this air purifier with solid-state speed controls (such as a dimmer switch).
- Not for commercial use. Household use **only**.

Plug & Cord

- Keep air purifier near the outlet it is plugged into.
- Never place the cord near any heat source.
- **Do not** cover the cord with a rug, carpet, or other covering. **Do not** place the cord under furniture or appliances.
- Keep the cord out of areas where people walk often. Place the cord where it will not be tripped over.

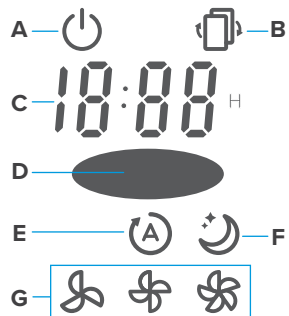
GETTING TO KNOW YOUR AIR PURIFIER

- A. LED Display
- B. Touch-Control Panel
- C. Dust Sensor Lens
- D. Dust Sensor Cover
- E. Button Vent
- F. Filter Indicator Reset Button
- G. Housing
- H. Safety Switch
- I. Activated Carbon Filter
- J. Fine Preliminary Filter
- K. True HEPA Filter
- L. Back Cover



LED DISPLAY

- A. On/Off Indicator
- B. Check Filter Indicator
- C. Timer Display
- D. Air Quality Indicator
- E. Auto Mode
- F. Sleep Mode
- G. Fan Speed



CONTROLS



- On/Off Button**
- Turns the air purifier on/off.



- Display Off Button**
- Turns the display off.
 - Press any button (except) to turn the display back on.



- Sleep Mode Button**
- Turns Sleep Mode on/off (see page 9).



- Auto Mode Button**
- Turns Auto Mode on/off (see page 9).



- Fan Speed Button**
- Cycles through fan speeds: low, medium, and high.
 - The fan speed cannot be changed in Auto or Sleep Mode.



- Timer Button**
- Sets or cancels a timer (see page 9).

- Air Quality Indicator**
- Displays air quality using the automatic sensor inside the air purifier.
 - The air purifier may take up to 1 minute to detect air quality.

Air Quality Indicator Chart	
Colour	Air Quality
Red	Bad
Yellow	Moderate
Green	Good
Blue	Very Good

GETTING STARTED

1. Open the back cover of the air purifier and remove both filters from their plastic packaging. [Figure 1.1]
2. Place the Activated Carbon Filter back into the air purifier, followed by the Fine Preliminary/True HEPA Combination Filter. Make sure the pull tabs on both filters are facing out. [Figure 1.2]
3. Replace the back cover by lining up the cover's feet with the slots in the bottom of the housing. Make sure that the triangular piece at the bottom of the cover is touching the safety switch. [Figure 1.3]
4. Push the cover closed.
5. Place the air purifier on a hard, flat surface. Leave 38 cm / 15 in of clearance on all sides of the air purifier. [Figure 1.4]

Note: Do not remove the foam piece attached to the dust sensor cover unless instructed by Customer Support. [Figure 1.5]

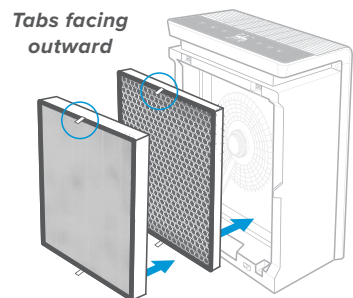


Figure 1.2

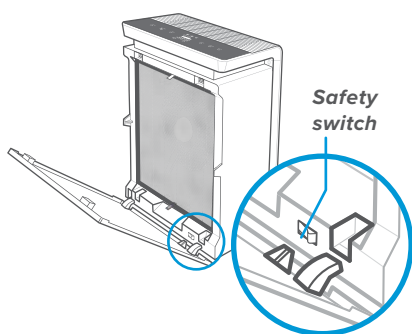


Figure 1.3

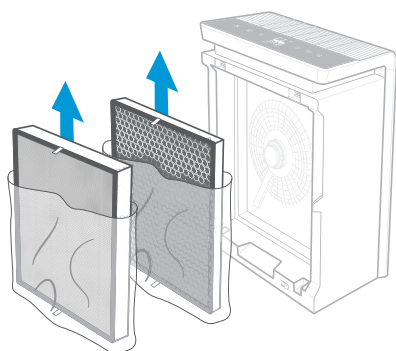


Figure 1.1

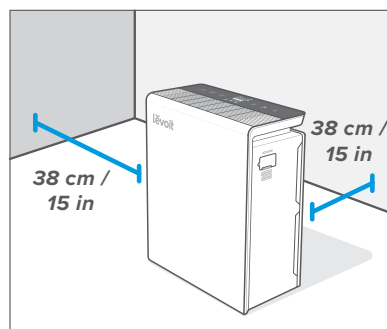


Figure 1.4

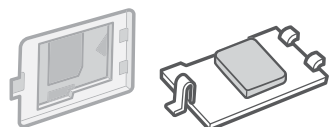


Figure 1.5

USING YOUR AIR PURIFIER

General Operation

1. Press to turn the air purifier on/off. The air purifier fan will start automatically at low speed.
2. Optionally, press to increase fan speed. You can also select Auto or Sleep Mode, or set a timer.

Note:

- For best results, run the air purifier at high speed for 15–20 minutes before using a lower speed or Auto Mode.
- To effectively clean air, keep windows closed while the air purifier is operating.

Sleep Mode

Sleep Mode uses the lowest possible fan speed to create a quiet environment.

- Press to turn Sleep Mode on/off.
- Pressing or will also exit Sleep Mode.

Memory Function

When the air purifier is plugged in, it will remember its programmed settings while turned off, and resume those settings when turned back on.

Automatic Shutoff

As a safety feature, the air purifier will automatically turn off if the back cover is removed.

Timer

You can set a timer between 1–12 hours.

- Press repeatedly to choose a time in increments of 1 hour. When you stop pressing , the display will flash 3 times and the timer will start.
- The air purifier will automatically turn off once the timer is finished.
- To cancel a timer, press repeatedly until the display reads “-:-” and flashes 3 times.

Auto Mode

Auto Mode uses the dust sensor inside the air purifier to adjust the fan speed automatically based on air quality. For example, if the air quality is bad, the fan will automatically be set to high speed.

- Press to turn Auto Mode on/off.
- Pressing or will also exit Auto Mode.

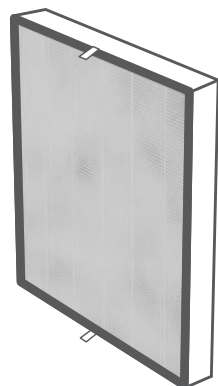
Auto Mode Chart		
Colour	Air Quality	Fan Speed
Red	Bad	High
Yellow	Moderate	Medium
Green	Good	Low
Blue	Very Good	Sleep Mode

ABOUT THE FILTERS

This air purifier uses a 3-stage filtration system to purify air.

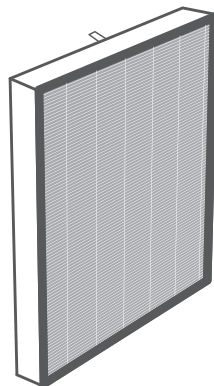
A. Fine Preliminary Filter

- Captures large particles such as dust, lint, fibres, hair, and pet fur.
- Maximises the life of the True HEPA Filter by protecting it.



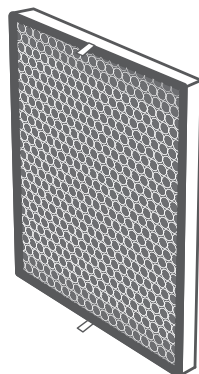
B. True HEPA Filter

- Removes at least 99.97% of airborne particles 0.3 micrometres (µm) in diameter.
- Filters small particles such as mould spores, tiny dust particles, parts of smoke, and allergens such as pollen, dander, and mites.



C. High-Efficiency Activated Carbon Filter

- Physically adsorbs smoke, odours, and fumes.
- Filters compounds such as formaldehyde, benzene, ammonia, hydrogen sulphide, and volatile organic compounds (VOCs).



CARE & MAINTENANCE

Cleaning the Air Purifier

Wipe the outside of the air purifier with a dry cloth. **Do not** clean with water or any other liquid, to avoid risk of electric shock.

Check Filter Indicator

The Check Filter Indicator will light up as a reminder to check the filters. Depending on how often you use the air purifier, the indicator should turn on within 6–8 months. You may not need to change your filters yet, but you should check them when the indicator light turns on.

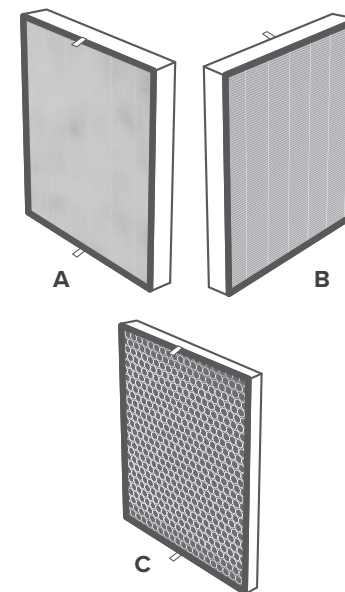
Reset the Check Filter Indicator by pressing the black Filter Indicator Reset Button in the vent on the side of the air purifier (see page 13).

Replacing the Filters

1. Unplug the air purifier, then remove the back cover.
2. Remove the old filters and properly dispose of them.
3. Unwrap the new filters. Place the Activated Carbon Filter inside the housing. Make sure the pull tabs are facing out.
4. Install the Fine Preliminary/True HEPA Combination Filter into the housing. Make sure the pull tabs are facing out.
5. Replace the back cover. The air purifier will not turn on unless the back cover is replaced correctly.
6. Reset the Check Filter Indicator (see page 13).

Cleaning the Filters

- A. The Fine Preliminary Filter should be cleaned once a month to increase efficiency and extend the life of your filter. Clean the Fine Preliminary Filter using a brush or vacuum hose to remove hair, dust, and large particles.
- B. **Do not** clean the True HEPA Filter. Fine dust or bacteria may be released back into the air if cleaning is attempted. **Only** clean the Fine Preliminary Filter.
- C. The Activated Carbon Filter does not require cleaning.



CARE & MAINTENANCE (CONT.)

When Should I Replace the Filters?

The filters should be replaced every 6–8 months. You may need to replace your filters earlier or later depending on how often you use your air purifier. Using your air purifier in an environment with relatively high pollution may mean you will need to change the filters more often.

You may need to replace your filters if you notice:

- Increased noise when the air purifier is on
- Decreased airflow
- Unusual odours
- Visibly clogged filters

To maintain the performance of your air purifier, **only** use official Levoit filters. To buy replacement filters, go to Amazon and search **B077GQ6PW8**.

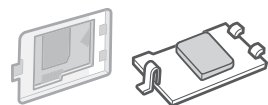


Figure 2.3

Cleaning the Dust Sensor Lens

1. Unplug the air purifier.
2. Open the dust sensor cover. *[Figure 2.1]*
3. Use a cotton swab dipped in water to clean the dust sensor lens. *[Figure 2.2]*
4. Wipe the lens dry with a dry cotton swab.

Note: Do not remove the foam piece attached to the dust sensor cover unless instructed by Customer Support. *[Figure 2.3]*

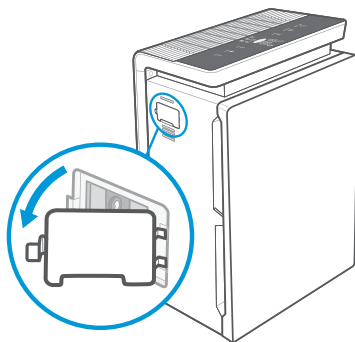


Figure 2.1

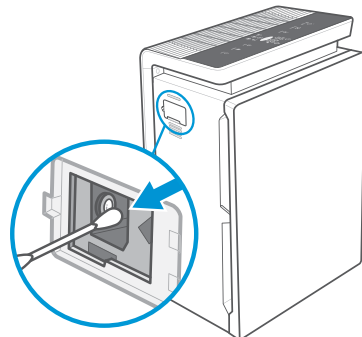


Figure 2.2

CARE & MAINTENANCE (CONT.)

Resetting the Check Filter Indicator

Reset the Check Filter Indicator after changing the filters.

1. Plug in the air purifier and turn it on.
2. Locate the button vent on the side of the air purifier. *[Figure 3.1]*
3. Use a paperclip, small flathead screwdriver, or other small object to press the black Filter Indicator Reset Button in the vent. *[Figure 3.1]*
4. The Check Filter Indicator will turn off, indicating that the reset is complete.

Storage

If not using the air purifier for an extended period of time, wrap the filter in plastic packaging and store in a dry place to avoid moisture damage.

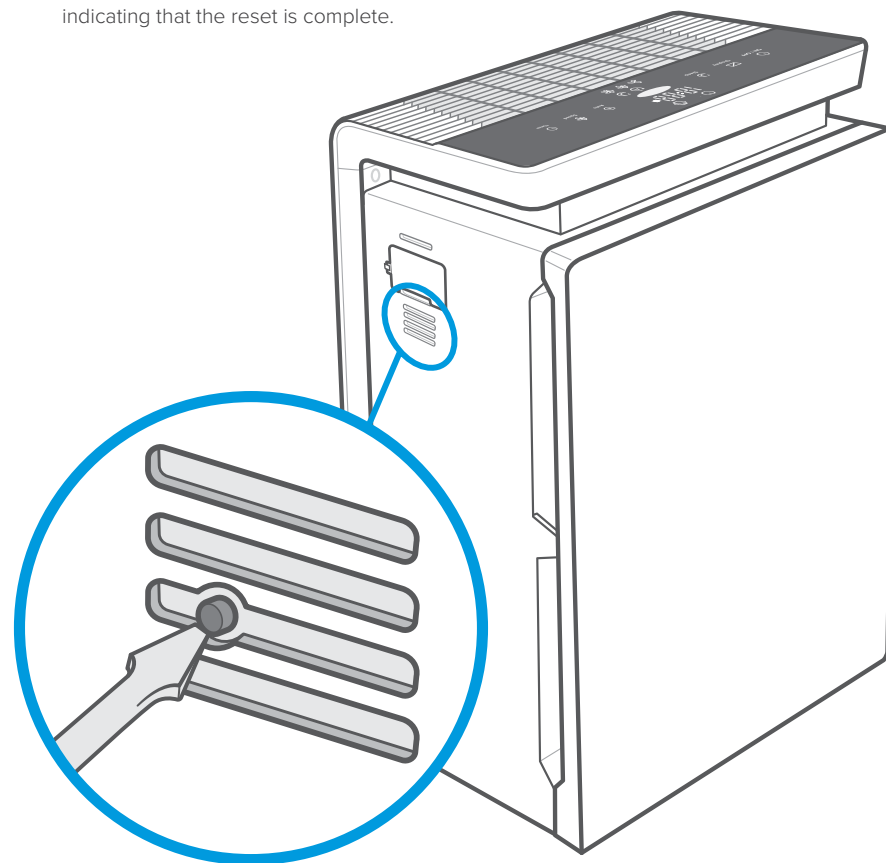




Figure 3.1

TROUBLESHOOTING

Problem	Possible Solution
Air purifier will not turn on or respond to button controls.	Plug in the air purifier.
	Check to see if the power cord is damaged. If it is, stop using the air purifier and contact Customer Support (see page 16).
	Securely close the filter cover so that the safety switch is activated (see page 8).
	Plug the air purifier into a different outlet.
	Air purifier may be malfunctioning. Contact Customer Support (see page 16).
Air Quality Indicator always stays red.	Clean the dust sensor lens (see page 12).
Air Quality Indicator always stays blue, even though air quality is poor.	
Air purifier makes an unusual noise when the fan is on.	Make sure the filters are removed from their packaging and properly in place (see page 8).
	Replace the filters (see page 11).
	Air purifier may be damaged, or a foreign object may be inside. Stop using the air purifier and contact Customer Support (see page 16). Do not try to repair the air purifier.
Airflow is significantly reduced.	Make sure the filters are removed from their packaging.
	Press  to increase the fan speed.
	Leave 38 cm / 15 in of clearance on all sides of the air purifier.
	Replace the filters (see page 11).
Check Filter Indicator is still on after replacing the air filters.	Reset the Check Filter Indicator (see page 13).

TROUBLESHOOTING (CONT.)

Problem	Possible Solution
Poor air purification quality.	Press  to increase the fan speed.
	Make sure no objects are blocking the top or sides of the air purifier (the inlet or outlet).
	Make sure the filters are removed from their packaging and properly in place (see page 8).
	Close doors and windows while running the air purifier.
	Make sure the room is smaller than 48 m ² / 516 ft ² . The air purifier may not be as effective in larger rooms.
	Clean the dust sensor lens (see page 12).
	Replace the filters (see page 11).
Check Filter Indicator has not turned on within 8 months.	The Check Filter Indicator is a reminder for you to check the filters and will light up based on how much the air purifier has been used (see page 12). If you don't use your air purifier often, the indicator will take longer to turn on.
Check Filter Indicator turned on before 6 months.	The Check Filter Indicator is a reminder for you to check the filters and will light up based on how much the air purifier has been used (see page 12). If you run your air purifier frequently, the indicator will turn on sooner.
Air purifier randomly turns off.	Air purifier is malfunctioning. Stop using the air purifier and contact Customer Support (see page 16).

If your problem is not listed, please contact **Customer Support** (see page 16).

WARRANTY INFORMATION

Terms & Policy

Arovast Corporation warrants all products to be of the highest quality in material, craftsmanship, and service for 2 years, effective from the date of purchase to the end of the warranty period. Warranty lengths may vary between product categories.

If you have any questions or concerns about your new product, please contact our helpful Customer Support Team.

CUSTOMER SUPPORT

Arovast Corporation

1202 N. Miller St., Suite A
Anaheim, CA 92806
USA

Email: support.eu@levoit.com

*Please have your order invoice and order ID ready before contacting Customer Support.

Deutsche
Bedienungsanleitung

True HEPA Luftreiniger
Modell: LV-PUR131

Lieferumfang

- 1 Luftreiniger
- 1 Aktivkohlefilter (vorinstalliert)
- 1 Vorfilter/True HEPA Kombinationsfilter (vorinstalliert)
- 1 Bedienungsanleitung

Technische Daten

Stromversorgung	AC 220–240 V, 50/60 Hz
Leistung	40 W
Wirkungsbereich	≤ 48 m ² / 516 ft ²
Betriebsbedingungen	-10 bis 40 °C / 14 bis 104 °F
Lärmpegel	23–52 dB
Wirkungsgrad (Clean Air Delivery Rate, CADR)	230 m ³ /h / 135 CFM
Standby-Stromverbrauch	< 0,8 W
Abmessungen	37,1 x 18,3 x 47 cm / 14,6 x 7,2 x 18,5 Zoll
Gewicht	5,21 kg / 11,49 lb

LESEN SIE DIESE ANLEITUNG BITTE SORGFÄLTIG UND BEWAHREN SIE SIE AUF

SICHERHEITSHINWEISE

Befolgen Sie sämtliche Anweisungen und Sicherheitshinweise, um das Risiko von Brand, Stromschlägen und sonstigen Verletzungen zu reduzieren.

Allgemeine Sicherheit

- Verwenden Sie diesen Luftreiniger **ausschließlich** wie in diesem Handbuch beschrieben.
- Verwenden Sie den Luftreiniger **nicht** im Freien.
- Halten Sie den Luftreiniger von Wasser und Nässe fern. Stellen Sie den Luftreiniger **keinesfalls** in Wasser oder Flüssigkeiten.
- Halten Sie Ihren Luftreiniger von Wärmequellen fern.
- Verwenden Sie den Luftreiniger **nicht** an Orten, an denen brennbare Gase, Dämpfe, Metallstaub, Aerosol-Produkte (Sprühdosen) oder Dämpfe von Industrieölen vorhanden sind.
- Halten Sie den Luftreiniger 1,5 m / 5 Fuß von Bereichen fern, an denen Sauerstoff zugeführt wird.
- Lassen Sie Kinder in der Nähe des Luftreinigers nicht unbeaufsichtigt.
- Führen Sie **nur** dann etwas in die Öffnungen des Luftreinigers ein, wenn dies im Handbuch ausdrücklich verlangt wird.
- Setzen Sie sich **nicht** auf den Luftreiniger und stellen Sie keine schweren Gegenstände darauf ab.
- Halten Sie das Innere des Luftreinigers trocken. Stellen Sie den Luftreiniger nicht in Räumen mit großen Temperaturschwankungen oder unter einer Klimaanlage auf, um ein Ansammeln von Feuchtigkeit zu vermeiden.
- Ziehen Sie vor dem Durchführen von Wartungsarbeiten (beispielsweise vor dem Auswechseln von Luftfiltern) **stets** den Stecker.
- Benutzen Sie Ihren Luftreiniger **nicht**, wenn er beschädigt ist oder nicht ordnungsgemäß funktioniert oder wenn der Stecker oder das Kabel beschädigt ist. Versuchen Sie **nicht**, den Luftreiniger selbst zu reparieren. Wenden Sie sich an unseren **Kundendienst** (siehe Seite 32).
- **WARNUNG:** Um das Risiko eines Brands oder elektrischen Schlags zu mindern, darf der Luftreiniger **nicht** mit einer Solid-State-Steuerung (wie beispielsweise einem Dimmerschalter) verwendet werden.
- Nicht für den gewerblichen Gebrauch. **Nur** für den Haushaltsgebrauch.

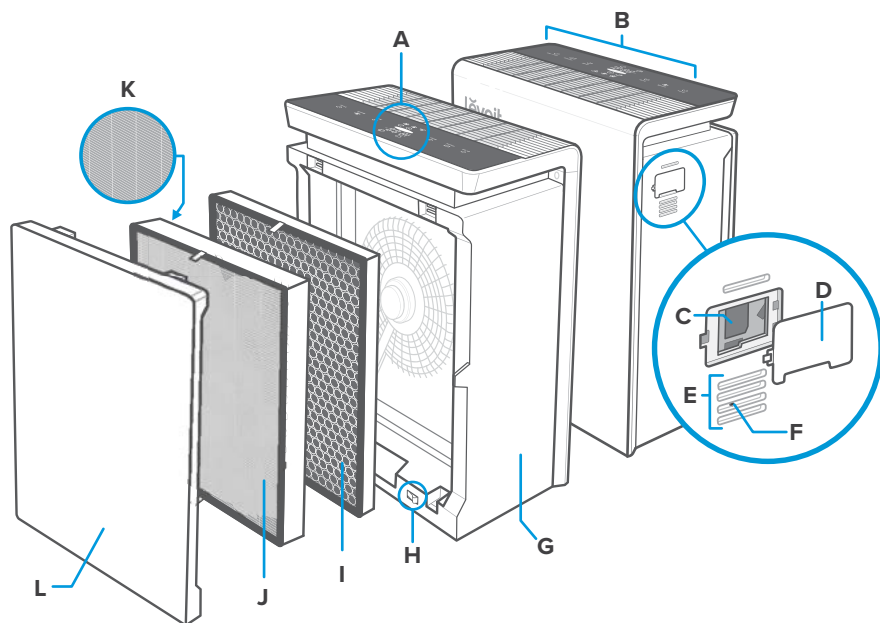
SICHERHEITSHINWEISE (FORTS.)

Stecker und Kabel

- Stellen Sie den Luftreiniger in der Nähe der verwendeten Steckdose auf.
- Halten Sie das Kabel **immer** von Wärmequellen fern.
- Bedecken Sie das Kabel **nicht** mit einem Vorleger, Teppich oder sonstigem Belag. Verlegen Sie das Kabel **nicht** unter Möbeln oder Geräten.
- Verlegen Sie das Kabel nicht auf häufig begangenen Wegen. Achten Sie darauf, dass das Kabel keine Stolperfälle darstellt.

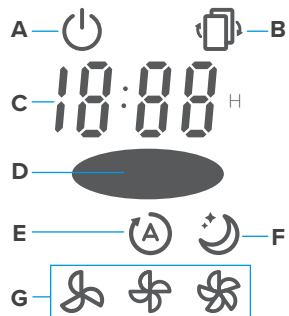
IHR LUFTREINIGER

- | | | |
|-------------------------|------------------------------------|--------------------------|
| A. LED-Display | E. Lüftungsgitter | I. Aktivkohlefilter |
| B. Bedienfeld | F. Rücksetztaste für Filteranzeige | J. Feinstaub-Vorfilter |
| C. Staubsensorlinse | G. Gehäuse | K. True HEPA Filter |
| D. Staubsensorabdeckung | H. Sicherheitsschalter | L. Rückwärtige Abdeckung |



LED-DISPLAY

- | | |
|--------------------------|-------------------------|
| A. Ein-/Aus-Anzeige | B. Filteranzeige |
| C. Timer-Anzeige | D. Luftqualitätsanzeige |
| E. Automatikbetrieb | F. Schlafmodus |
| G. Lüftergeschwindigkeit | |



BEDIENUNGSTASTEN




Ein-/Aus-Taste

- Zum Ein- und Ausschalten des Luftreinigers.



Taste zum Ausschalten des Displays

- Schaltet das Display ein oder aus.
- Drücken Sie eine beliebige Taste (außer ) , um die Anzeige wieder einzuschalten.



Taste für den automatischen Modus

- Schaltet den Automatikmodus ein oder aus (siehe Seite 24).



Taste für den Schlafmodus

- Schaltet den Schlafmodus ein oder aus (siehe Seite 23).



Lüftergeschwindigkeit-Taste

- Zum Einstellen der Lüftergeschwindigkeit: langsam, mittel und hoch.
- Im Automatikmodus und Schlafmodus kann die Lüftergeschwindigkeit nicht geändert werden.



Timer-Taste

- Setzt oder löscht den Timer (siehe Seite 23).

Luftqualitätsanzeige

- Zeigt die Luftqualität an, die vom automatischen Sensor im Inneren des Luftreinigers ermittelt wurde.
- Das Messen der Luftqualität kann bis zu einer Minute dauern.

Tabelle zur Luftqualitätsanzeige

Farbe	Luftqualität
Rot	Schlecht
Gelb	Mittelmäßig
Grün	Gut
Blau	Sehr gut

ERSTE SCHRITTE

1. Öffnen Sie die rückwärtige Abdeckung des Luftreinigers und nehmen Sie beide Filter aus ihrer Verpackung. **[Abbildung 1.1]**
2. Setzen Sie den Aktivkohlefilter und anschließend den Feinvorfilter/True HEPA Kombinationsfilter wieder in den Luftreiniger ein. Prüfen Sie, dass die Ziehlaschen an beiden Filtern nach außen weisen. **[Abbildung 1.2]**
3. Richten Sie die Füße der Filterabdeckung auf die entsprechenden Aussparungen unten am Gehäuse aus und bringen Sie die Abdeckung wieder an. Prüfen Sie, dass das Dreieck unten an der Abdeckung den Sicherheitsschalter berührt. **[Abbildung 1.3]**
4. Drücken Sie gegen die Abdeckung, um sie zu schließen.
5. Stellen Sie den Luftreiniger auf eine harte, ebene Fläche. Stellen Sie sicher, dass rund um den Luftreiniger ein Abstand von 38 cm / 15 Zoll vorhanden ist. **[Abbildung 1.4]**

Hinweis: Entfernen Sie das Schaumstoffpolster an der Staubsensorabdeckung **nur** auf Anweisung des Kundendienstes. **[Abbildung 1.5]**

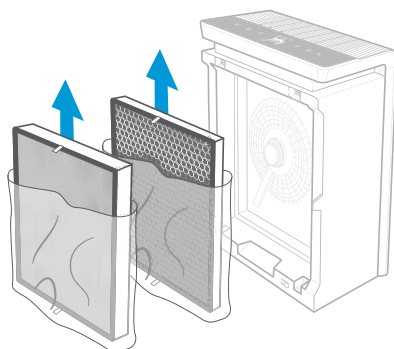


Abbildung 1.1

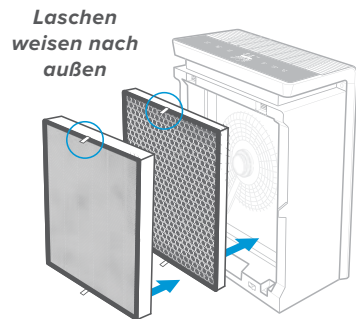


Abbildung 1.2

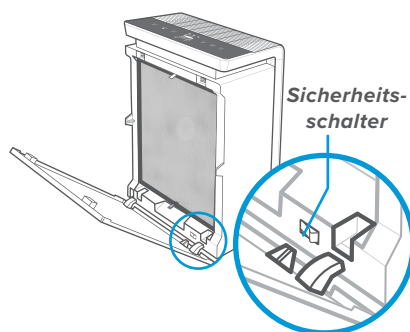


Abbildung 1.3

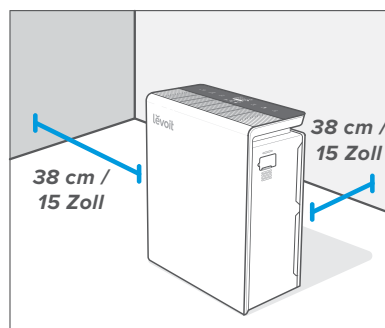


Abbildung 1.4

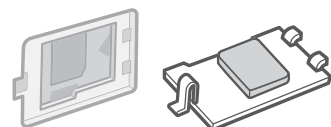


Abbildung 1.5

DER GEBRAUCH IHRES LUFTREINIGERS

Allgemeiner Betrieb

1. Drücken Sie um den Luftreiniger ein- oder auszuschalten. Der Lüfter des Luftreinigers läuft automatisch auf der langsamsten Stufe.
2. Um die Geschwindigkeit zu erhöhen, drücken Sie . Außerdem können Sie den Automatikmodus oder Schlafmodus auswählen oder einen Timer einstellen.

Hinweis:

- *Optimale Leistungen erzielen Sie, wenn Sie den Luftreiniger 15–20 Minuten mit Hochgeschwindigkeit laufen lassen und dann eine langsamere Geschwindigkeit oder den Automatikbetrieb wählen.*
- *Um die Luft effektiv zu reinigen, lassen Sie die Fenster geschlossen, wenn der Luftreiniger in Betrieb ist.*

Schlafmodus

Im Schlafmodus läuft das Gerät mit der langsamsten Lüftergeschwindigkeit, um ein möglichst ruhiges Umfeld zu schaffen.

- Drücken Sie um den Schlafmodus ein- oder auszuschalten.
- Sie können auch oder drücken, um den Schlafmodus zu beenden.

Speicherfunktion

Solange der Luftreiniger an eine Steckdose angeschlossen ist, bleiben die programmierten Einstellungen nach dem Abschalten gespeichert und werden beim Einschalten wieder angewendet.

Automatisches Abschalten

Zur Sicherheit schaltet sich der Luftreiniger beim Entfernen der rückwärtigen Abdeckung automatisch aus.

Timer

Sie können einen Timer auf 1–12 Stunden einstellen.

- Drücken Sie wiederholt , um das Zeitintervall in Schritten von einer Stunde auszuwählen. Wenn Sie loslassen, blinkt das Display dreimal auf und der Timer wird gestartet.
- Nach Ablauf der eingestellten Dauer schaltet sich der Luftreiniger automatisch aus.
- Um einen Timer abzubrechen, drücken Sie wiederholt , bis auf der Anzeige „-:-“ erscheint und dreimal aufblinkt.

Automatikbetrieb

Im Automatikmodus wird über den Staubsensor im Luftreiniger die Lüftergeschwindigkeit automatisch entsprechend der Luftqualität eingestellt. Bei schlechter Luftqualität wird der Lüfter automatisch auf einer höheren Stufe betrieben.




- Drücken Sie  um den Automatikmodus ein- und auszuschalten.
- Sie können auch  oder  drücken, um den Automatikmodus zu beenden.

Tabelle zum Automatikbetrieb		
Farbe	Luftqualität	Lüftergeschwindigkeit
Rot	Schlecht	Hoch
Gelb	Mittelmäßig	Mittel
Grün	Gut	Langsam
Blau	Sehr gut	Schlafmodus

DIE FILTER

Dieser Luftreiniger verwendet ein dreistufiges Filtersystem, um die Luft zu reinigen.

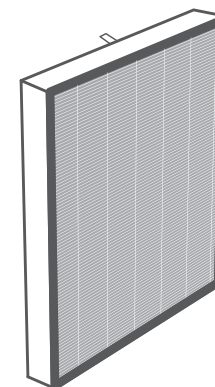
A. Feinstaub-Vorfilter

- Fängt große Partikel wie Staub, Flusen, Fasern, Haare und Tierfell ein.
- Schützt den True HEPA Filter und maximiert seine Lebensdauer.



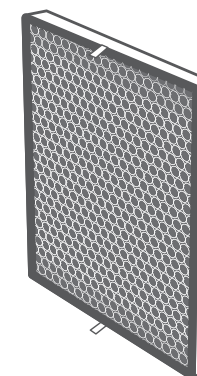
B. True HEPA Filter

- Entfernt mindestens 99,97 % von Schwebeteilchen mit einem Durchmesser von 0,3 Mikrometern (μm).
- Filtert kleine Partikel wie Schimmelsporen, winzige Staubpartikel, Rauchpartikel und Allergene wie Pollen, Schuppen oder Milben.



C. Hochwirksamer Aktivkohlefilter

- Rauch, Gerüche und Dämpfe werden von diesem Filter physikalisch absorbiert.
- Filtert Verbindungen wie Formaldehyd, Benzol, Ammoniak, Schwefelwasserstoff und flüchtige organische Verbindungen (VOC).



PFLEGE UND WARTUNG

Reinigung des Luftreinigers

Wischen Sie den Luftreiniger von außen mit einem trockenen Tuch ab. Verwenden Sie **kein** Wasser oder andere Flüssigkeiten, sonst besteht Stromschlaggefahr!

Filteranzeige

Die Filteranzeige leuchtet auf, um Sie daran zu erinnern, die Luftfilter zu prüfen. Je nachdem, wie häufig Sie Ihren Luftreiniger verwenden, leuchtet die Anzeige innerhalb von 6–8 Monaten auf. Eventuell müssen Ihre Filter zu diesem Zeitpunkt noch nicht ausgetauscht werden. Sie sollten sie jedoch überprüfen, wenn die Filteranzeige aufleuchtet.

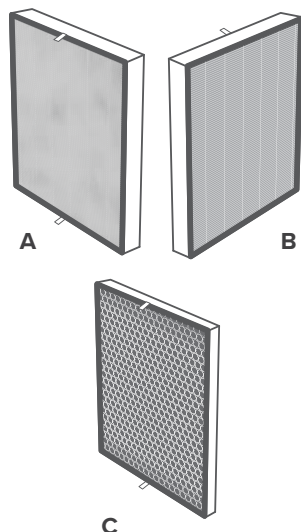
Setzen Sie die Filteranzeige zurück. Drücken Sie dazu die schwarze Filteranzeige-Rücksetztaste in der Entlüftungsöffnung seitlich am Luftreiniger (siehe Seite 29).

Ersetzen der Filter

1. Ziehen Sie den Netzstecker und entfernen Sie dann die rückwärtige Abdeckung.
2. Entnehmen Sie die alten Filter und entsorgen Sie sie ordnungsgemäß.
3. Packen Sie die neuen Filter aus. Setzen Sie den Aktivkohlefilter in das Gerät ein. Prüfen Sie, dass die Ziehlaschen nach außen weisen.
4. Setzen Sie den Feinvorfilter/True HEPA Kombinationsfilter in das Gerät ein. Prüfen Sie, dass die Ziehlaschen nach außen weisen.
5. Bringen Sie die rückwärtige Abdeckung wieder an. Der Luftreiniger lässt sich erst wieder einschalten, wenn die rückwärtige Abdeckung korrekt angebracht ist.
6. Setzen Sie die Filteranzeige zurück (siehe Seite 29).

Reinigung der Filter

- A. Der Feinstaub-Vorfilter sollte einmal im Monat gereinigt werden, um die Effizienz zu erhöhen und die Lebensdauer Ihres Filters zu verlängern. Reinigen Sie den Feinstaub-Vorfilter mit einer Bürste oder einem Staubsauger, um Haare, Staub und große Partikel zu entfernen.
- B. Reinigen Sie den True HEPA Filter **nicht**. Feinstaub oder Bakterien können bei der Reinigung wieder an die Luft abgegeben werden. Reinigen Sie **nur** den Feinstaub-Vorfilter.
- C. Der Aktivkohlefilter muss nicht gereinigt werden.



PFLEGE UND WARTUNG (FORTS.)

Wann müssen die Filter ersetzt werden?

Die Filter sollten alle 6–8 Monate ausgewechselt werden. Je nachdem, wie häufig Sie Ihren Luftreiniger benutzen, müssen die Filter früher oder später ausgetauscht werden. Wenn der Luftreiniger in einem relativ stark verschmutzten Umfeld eingesetzt wird, müssen die Filter eventuell häufiger ausgewechselt werden.

Wenn Sie Folgendes bemerken, müssen die Filter möglicherweise ersetzt werden:

- Lautes Geräusch beim Betrieb
- Verminderter Luftstrom
- Ungewöhnliche Gerüche
- Sichtbar verschmutzte Filter

Verwenden Sie **ausschließlich** offizielle Levoit-Filter, damit Ihr Luftreiniger leistungsfähig bleibt. Ersatzfilter können über Amazon erworben werden. Suchen Sie dafür nach **B077GQ6PW8**.



Reinigen der Staubsensorlinse

1. Trennen Sie den Luftreiniger von der Stromversorgung.
2. Öffnen Sie die Staubsensorabdeckung. **[Abbildung 2.1]**
3. Reinigen Sie die Staubsensorlinse mit einem mit Wasser befeuchteten Wattestäbchen. **[Abbildung 2.2]**
4. Trocknen Sie die Linse mit einem trockenen Wattestäbchen.

Hinweis: Entfernen Sie das Schaumstoffpolster an der Staubsensorabdeckung **nur** auf Anweisung des Kundendienstes. **[Abbildung 2.3]**

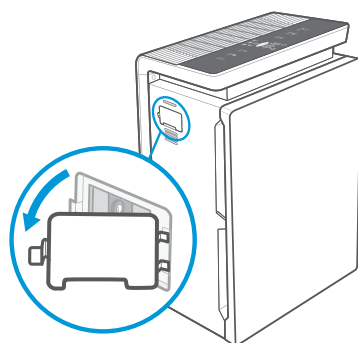


Abbildung 2.1

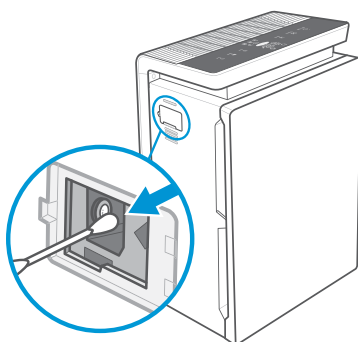


Abbildung 2.2

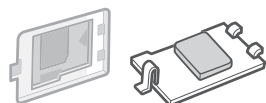


Abbildung 2.3

Lagerung

Wenn Sie den Luftreiniger über einen längeren Zeitraum nicht verwenden, verpacken Sie den Filter in einem Kunststoffbeutel und bewahren Sie den Filter und Luftreiniger an einem trockenen Ort auf, um Feuchtigkeitsschäden zu vermeiden.

Zurücksetzen der Filteranzeige

Setzen Sie die Filteranzeige nach dem Auswechseln der Filter zurück.

1. Schließen Sie den Luftreiniger an die Stromversorgung an und schalten Sie ihn ein.
2. Finden Sie das Lüftungsgitter seitlich am Luftreiniger. **[Abbildung 3.1]**
3. Drücken Sie mit einer Büroklammer, einem kleinen Schlitzschraubenzieher oder einem anderen kleinen Gegenstand die schwarze Rücksetztaste für die Filteranzeige zwischen den Entlüftungsschlitzen. **[Abbildung 3.1]**
4. Wenn das Zurücksetzen abgeschlossen ist, erlischt die Filteranzeige.

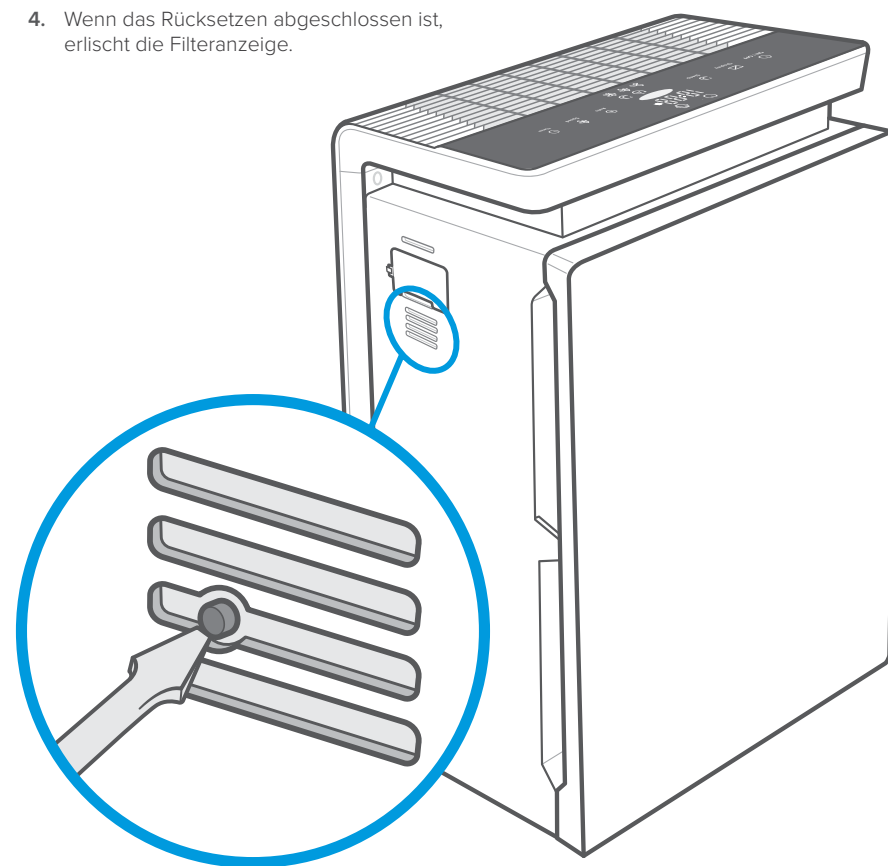




Abbildung 3.1

PROBLEMLÖSUNG

Problem	Mögliche Abhilfe
Der Luftreiniger lässt sich nicht einschalten und reagiert nicht auf Tastendruck.	Schließen Sie den Luftreiniger an die Stromversorgung an.
	Prüfen Sie, ob das Netzkabel beschädigt ist. Verwenden Sie den Luftreiniger in diesem Fall nicht und verständigen Sie den Kundendienst (siehe Seite 32).
	Bringen Sie die Filterabdeckung sicher an, um den Sicherheitsschalter zu aktivieren (siehe Seite 22).
	Schließen Sie den Luftreiniger an eine andere Steckdose an.
	Der Luftreiniger weist eventuell eine Funktionsstörung auf. Wenden Sie sich an unseren Kundendienst (siehe Seite 32).
Die Luftqualitätsanzeige leuchtet ständig rot auf.	Reinigen Sie die Staubsensordlinse (siehe Seite 28).
Die Luftqualitätsanzeige leuchtet ständig blau auf, auch wenn die Luftqualität schlecht ist.	
Der Luftreiniger gibt ein ungewöhnliches Geräusch von sich, wenn der Lüfter läuft.	Prüfen Sie, dass die Filter aus der Verpackung genommen und korrekt eingesetzt wurden (siehe Seite 22).
	Ersetzen Sie die Filter (siehe Seite 26).
	Der Luftreiniger ist möglicherweise beschädigt oder im Gerät befindet sich ein Fremdkörper. Schalten Sie den Luftreiniger aus und verständigen Sie den Kundendienst (siehe Seite 32). Versuchen Sie nicht , den Luftreiniger selbst zu reparieren.
Der Luftstrom ist beträchtlich reduziert.	Prüfen Sie, ob die Luftfilter aus der Verpackung genommen wurden.
	Drücken Sie  , um die Lüftergeschwindigkeit zu erhöhen.
	Stellen Sie sicher, dass rund um den Luftreiniger ein Abstand von 38 cm / 15 Zoll vorhanden ist.
	Ersetzen Sie die Filter (siehe Seite 26).
Die Filteranzeige leuchtet nach dem Austausch der Luftfilter weiter auf.	Setzen Sie die Filteranzeige zurück (siehe Seite 29).

PROBLEMLÖSUNG (FORTS.)

Problem	Mögliche Abhilfe
Die Luft wird nicht ausreichend gereinigt.	Drücken Sie  um die Lüftergeschwindigkeit zu erhöhen.
	Prüfen Sie, dass der Luftreiniger oben oder seitlich nicht blockiert wird (Ein- und Auslass).
	Prüfen Sie, dass die Filter aus der Verpackung genommen und korrekt eingesetzt wurden (siehe Seite 22).
	Schließen Sie beim Betrieb des Luftreinigers Fenster und Türen.
	Der Raum darf höchstens 48 m ² / 516 ft ² groß sein. In größeren Räumen ist der Luftreiniger eventuell weniger effektiv.
	Reinigen Sie die Staubsensordlinse (siehe Seite 28).
	Ersetzen Sie die Filter (siehe Seite 26).
Die Filteranzeige leuchtet nicht innerhalb von acht Monaten auf.	Die Filteranzeige soll Sie daran erinnern, die Filter zu überprüfen, und leuchtet abhängig davon auf, wie oft der Luftreiniger benutzt wurde (siehe Seite 27). Wenn Sie Ihren Luftreiniger selten verwenden, dauert es länger bis diese aufleuchtet.
Die Filteranzeige leuchtet bereits vor Ablauf von sechs Monaten auf.	Die Filteranzeige soll Sie daran erinnern, die Filter zu überprüfen, und leuchtet abhängig davon auf, wie oft der Luftreiniger benutzt wurde (siehe Seite 27). Wenn Sie Ihren Luftreiniger häufig verwenden, leuchtet diese Anzeige früher auf.
Der Luftreiniger schaltet sich willkürlich aus.	Der Luftreiniger funktioniert nicht ordnungsgemäß. Schalten Sie den Luftreiniger aus und verständigen Sie den Kundendienst (siehe Seite 32).

Sollte ein Problem auftreten, das hier nicht aufgeführt ist, kontaktieren Sie bitte unseren **Kundendienst** (siehe Seite 32).

GARANTIE

Geschäftsbedingungen

Die Produkte von Arovast Corporation werden fachkundig aus hochwertigen Werkstoffen gefertigt. Arovast Corporation übernimmt die Garantie für Material- und Herstellungsfehler ab dem Kaufdatum für einen Zeitraum von zwei Jahren.

Bei Fragen oder Problemen mit Ihrem neuen Produkt hilft Ihnen unser Kundendienst gerne weiter.

KUNDENDIENST

Arovast Corporation
1202 N. Miller St., Suite A
Anaheim, CA 92806
USA

E-Mail: support.eu@levoit.com

*Bitte halten Sie Ihre Rechnungs- und Bestellnummer für das Gespräch mit unserem Kundendienst bereit.

Français
Notice d'utilisation

Purificateur d'air True HEPA
Modèle : LV-PUR131

Contenu de l'emballage

- 1 purificateur d'air
- 1 filtre à charbon actif (préinstallé)
- 1 filtre combiné préfiltre/True HEPA (préinstallé)
- 1 notice d'utilisation

Caractéristiques techniques

Alimentation électrique	220 à 240 V c.a., 50 à 60 Hz
Puissance nominale	40 W
Portée effective	≤ 48 m ² (516 pi ²)
Conditions de fonctionnement	-10 à 40 °C (14 à 104 °F)
Niveau de bruit	23 à 52 dB
CADR (Taux de distribution d'air pur)	230 m ³ /h (135 pi ³ /m)
Consommation en veille	< 0,8 W
Dimensions	37,1 x 18,3 x 47 cm (14,6 x 7,2 x 18,5 po)
Poids	5,21 kg (11,49 lb)

INSTRUCTIONS À LIRE ET À CONSERVER

CONSIGNES DE SÉCURITÉ

Pour réduire les risques d'incendie, d'électrocution ou éviter d'autres blessures, suivez toutes les instructions et consignes de sécurité.

Consignes générales de sécurité

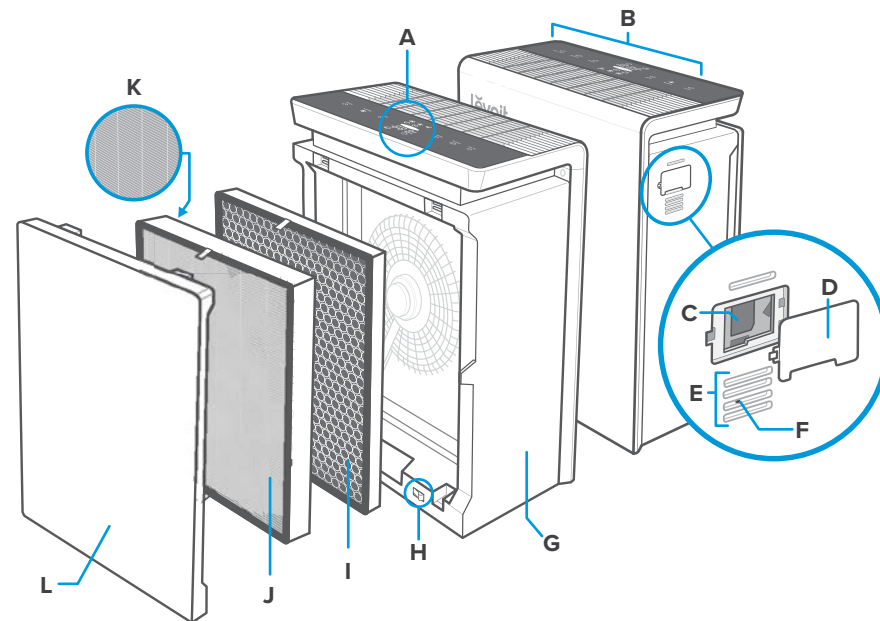
- Utilisez **uniquement** le purificateur conformément aux instructions fournies dans cette notice.
- N'utilisez pas** le purificateur d'air à l'extérieur.
- Éloignez le purificateur d'air de tout point d'eau ou de toute zone humide ou mouillée. Ne le placez **jamais** dans de l'eau ou d'autres liquides.
- Tenez le purificateur d'air éloigné de sources de chaleur.
- N'utilisez pas** l'appareil en présence de gaz, vapeurs, poussières métalliques, produits aérosols (sprays) ou d'émanations industrielles.
- Restez à 1,5 m (5 pi) de l'endroit où de l'oxygène est administré.
- Surveillez les enfants lorsqu'ils sont à proximité du purificateur d'air.
- Ne placez rien** en face d'un orifice du purificateur d'air, sauf mention contraire dans la notice.
- Ne vous asseyez pas** sur le purificateur d'air et ne placez pas d'objets lourds dessus.
- Veillez à ce que l'intérieur du purificateur d'air reste sec. Pour éviter l'accumulation d'humidité, évitez de le placer dans des pièces soumises à des changements de température importants ou sous des climatiseurs.
- Débranchez **toujours** le purificateur d'air avant de procéder à l'entretien (comme lors du remplacement des filtres).
- N'utilisez pas** le purificateur d'air s'il est endommagé ou s'il ne fonctionne pas correctement, ou encore, si le cordon d'alimentation ou la prise sont endommagés. **N'essayez pas** de le réparer vous-même. Contactez le **service client** (voir page 47).
- AVERTISSEMENT** : afin de réduire le risque d'incendie ou de choc électrique, **n'utilisez pas** ce purificateur d'air avec des commandes de vitesse à semi-conducteurs (comme un variateur).
- Non adapté à un usage commercial. Pour un usage domestique **seulement**.

Fiche et cordon d'alimentation

- Laissez le purificateur d'air à proximité de la prise où il est branché.
- Ne placez jamais le cordon d'alimentation à proximité d'une source de chaleur.
- Ne couvrez pas** le cordon d'alimentation avec un tapis, de la moquette ou tout autre couvre-sol. **Ne placez pas** le cordon d'alimentation sous un meuble ou des appareils.
- Gardez le cordon d'alimentation à l'écart des lieux de passage. Placez le cordon d'alimentation à un endroit où personne ne risque de trébucher dessus.

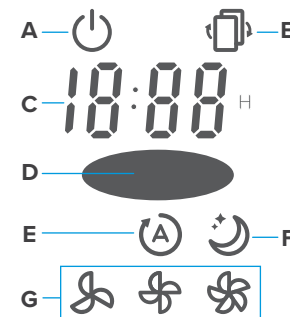
DÉCOUVERTE DE VOTRE PURIFICATEUR D'AIR

- | | | |
|-------------------------------------|---|---------------------------------|
| A. Écran LCD | D. Cache du capteur de poussière | G. Boîtier |
| B. Panneau de commande tactile | E. Grille de ventilation | H. Interrupteur de sécurité |
| C. Lentille du capteur de poussière | F. Bouton de réinitialisation du témoin des filtres | I. Filtre à charbon actif |
| | | J. Préfiltre à fines particules |
| | | K. Filtre True HEPA |
| | | L. Capot arrière |



ÉCRAN LCD

- A. Témoin de marche/arrêt
- B. Témoin de vérification des filtres
- C. Affichage de la minuterie
- D. Témoin de la qualité de l'air
- E. Mode auto
- F. Mode veille
- G. Vitesse du ventilateur



COMMANDES




Bouton de marche/arrêt

- Pour allumer ou éteindre le purificateur.



Touche arrêt de l'écran

- Pour éteindre l'écran.
- Appuyez sur n'importe quelle touche (sauf ) pour rallumer l'écran.



Touche du mode veille

- Pour mettre l'appareil en veille ou le sortir de la veille (voir page 38).



Touche mode auto

- Pour activer ou désactiver le mode auto (voir page 39).



Bouton de la vitesse du ventilateur

- Cycles de la vitesse du ventilateur : faible, moyenne, élevée.
- La vitesse du ventilateur ne peut pas être modifiée en mode auto ou veille.



Touche de la minuterie

- Pour définir ou annuler une minuterie (voir page 38).

Témoin de la qualité de l'air

- Affiche la qualité de l'air à l'aide du capteur automatique situé à l'intérieur du purificateur d'air.
- Cette opération de détection de la qualité de l'air peut prendre jusqu'à 1 minute.

Légende du témoin de la qualité de l'air	
Couleur	Qualité de l'air
Rouge	Mauvaise
Jaune	Modérée
Vert	Bonne
Bleu	Très bonne

PRISE EN MAIN

- Ouvrez le capot arrière du purificateur d'air et retirez les deux filtres de leur emballage en plastique. **[Figure 1.1]**
- Placez le filtre à charbon actif dans le purificateur d'air, puis le préfiltre à fines particules / filtre combiné True HEPA. Assurez-vous que les languettes sur les deux filtres sont face vers l'extérieur. **[Figure 1.2]**
- Reposez le cache arrière en alignant les pieds du cache sur les fentes en bas du boîtier. Assurez-vous que la pièce triangulaire en bas du cache touche l'interrupteur de sécurité. **[Figure 1.3]**
- Appuyez sur le capot pour le refermer.
- Placez le purificateur d'air sur une surface plane et solide. Assurez-vous qu'il y a au moins 38 cm (15 po) d'espace de chaque côté du purificateur d'air. **[Figure 1.4]**

Remarque : ne retirez pas la partie en mousse fixée au cache du capteur de poussière sauf si le service client le demande. **[Figure 1.5]**

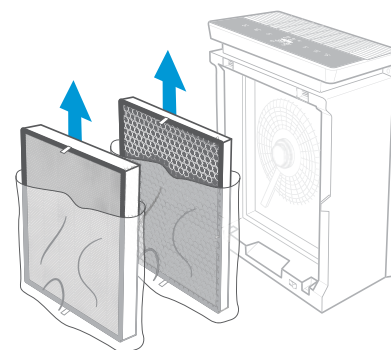


Figure 1.1

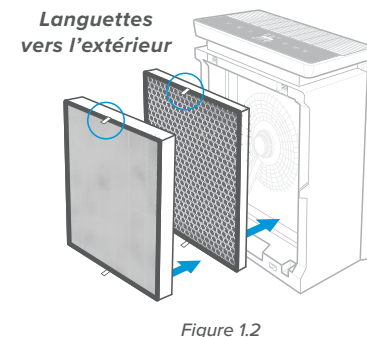


Figure 1.2

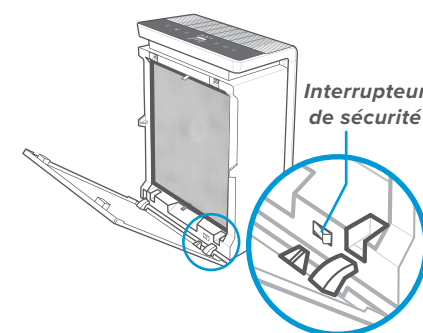


Figure 1.3

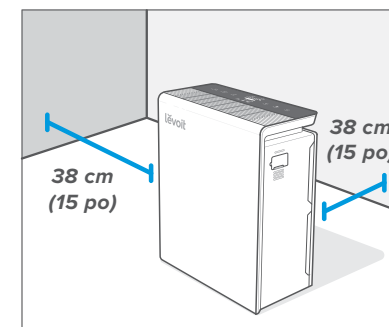


Figure 1.4

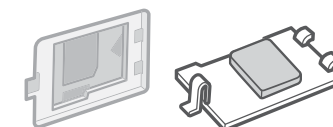




Figure 1.5

UTILISATION DE VOTRE PURIFICATEUR D'AIR

Fonctionnement général




- Appuyez sur  pour allumer/éteindre le purificateur d'air. Le ventilateur du purificateur d'air démarre automatiquement à vitesse faible.
- Une pression sur la touche  permet d'augmenter la vitesse du ventilateur. Il est également possible de sélectionner le mode auto ou veille, ou de définir une minuterie.

Remarque :

- Pour une performance optimale, faites fonctionner le purificateur d'air à vitesse maximale pendant 15 à 20 minutes avant d'utiliser une vitesse plus faible ou le mode auto.
- Pour une purification efficace de l'air, gardez les fenêtres fermées pendant que le purificateur fonctionne.




Mode veille

Le mode veille utilise la vitesse de ventilateur la plus faible pour créer un environnement paisible.

- Appuyez sur  pour activer/désactiver le mode veille.
- Une pression sur la touche  ou  permet aussi de quitter le mode veille.

Minuterie

La minuterie peut être réglée sur un intervalle de 1 à 12 heures.

- Appuyez plusieurs fois sur  pour choisir une durée par incrément d'une heure. Lorsque vous cessez d'appuyer sur , l'écran clignote 3 fois et la minuterie commence.
- Le purificateur d'air s'éteint automatiquement une fois que la minuterie est terminée.
- Pour annuler la minuterie, appuyez plusieurs fois sur  jusqu'à ce que l'écran affiche « -:- » et clignote 3 fois.

Fonction Mémoire

Le purificateur d'air enregistrera les paramètres programmés une fois éteint et il reprendra ces paramètres une fois rallumé.




Extinction automatique

Par mesure de sécurité, le purificateur d'air s'éteindra automatiquement si le capot arrière est retiré.

UTILISATION DE VOTRE PURIFICATEUR D'AIR (SUITE)

Mode auto

Le mode auto utilise le détecteur de poussière à l'intérieur du purificateur d'air pour ajuster la vitesse du ventilateur automatiquement en fonction de la qualité de l'air. Par exemple, si la qualité de l'air est mauvaise, le ventilateur va automatiquement passer à la vitesse élevée.

- Appuyez sur  pour activer/désactiver le mode auto.
- Une pression sur la touche  ou  permet aussi de quitter le mode auto.

Légende du mode auto

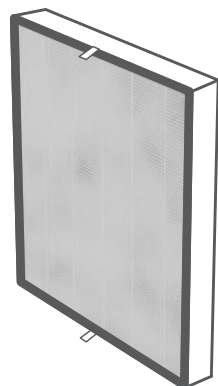
Couleur	Qualité de l'air	Vitesse du ventilateur
Rouge	Mauvaise	Élevée
Jaune	Modérée	Moyenne
Vert	Bonne	Faible
Bleu	Très bonne	Mode veille

À PROPOS DES FILTRES

Ce purificateur d'air utilise un système de filtration en 3 étapes pour purifier l'air.

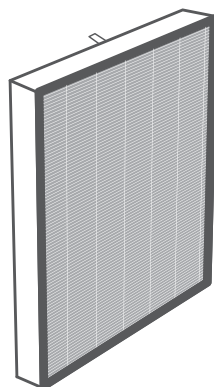
A. Préfiltre à fines particules

- Capture les grosses particules comme la poussière, les peluches, les fibres, les cheveux et les poils d'animaux domestiques.
- Protège et maximise ainsi la durée de vie du filtre True HEPA.



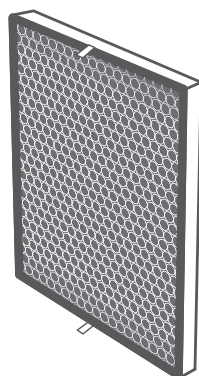
B. Filtre True HEPA

- Élimine au moins 99,97 % des particules aéroportées d'un diamètre de 0,3 micromètre (μm).
- Filtre les particules fines comme les spores de moisissures, les particules de poussière minuscules, la fumée, les allergènes tels que le pollen, les squames et les acariens.



C. Filtre à charbon actif hautement efficace

- Absorbe physiquement la fumée, les odeurs et vapeurs.
- Filtre les composés comme le formaldéhyde, le benzène, l'ammoniac, le sulfure d'hydrogène et les composés organiques volatils (COV).



NETTOYAGE ET MAINTENANCE

Nettoyage du purificateur d'air

Essayez l'extérieur du purificateur d'air à l'aide d'un chiffon sec. **Ne nettoyez pas** à l'eau ou avec tout autre liquide pour éviter tout choc électrique.

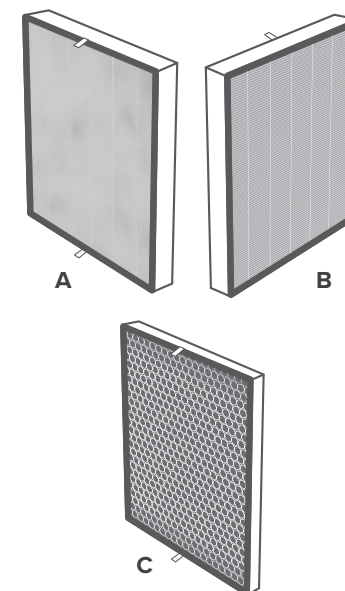
Témoin de vérification des filtres

Le témoin de vérification des filtres s'allume pour indiquer de contrôler les filtres. Selon votre fréquence d'utilisation du purificateur d'air, le témoin s'allumera dans un délai de 6 à 8 mois. Il ne sera peut-être pas nécessaire de remplacer les filtres, mais vous devez vérifier les filtres lorsque le témoin s'allume.

Réinitialisez le témoin de vérification des filtres en appuyant sur le bouton noir dans la grille de ventilation sur le côté du purificateur d'air (voir page 44).

Nettoyage des filtres

- Le filtre à fines particules doit être nettoyé une fois par mois pour augmenter l'efficacité et prolonger la durée de vie de votre filtre. Nettoyez le préfiltre à fines particules à l'aide d'une brosse ou du tuyau de votre aspirateur pour éliminer la poussière, les cheveux et autres grosses particules.
- Ne nettoyez pas** le filtre True HEPA. De la poussière fine ou des bactéries peuvent être libérées dans l'air si vous essayez de le nettoyer. Nettoyez **uniquement** le préfiltre à fines particules.
- Le filtre à charbon actif ne nécessite pas de nettoyage.



Remplacement des filtres

1. Débranchez le purificateur d'air et retirez le cache arrière.
2. Retirez les anciens filtres et jetez-les de la manière appropriée.
3. Déballez les filtres. Placez le filtre à charbon actif à l'intérieur du boîtier. Assurez-vous que les languettes sont face vers l'extérieur.
4. Installez le préfiltre à fines particules/ filtre combiné True HEPA dans le boîtier. Assurez-vous que les languettes sont face vers l'extérieur.
5. Remettez le capot arrière en place. Le purificateur d'air ne s'allumera pas tant que le cache arrière ne sera pas correctement remis en place.
6. Réinitialisez le témoin de vérification des filtres (voir page 44).

Quand remplacer les filtres ?

Les filtres doivent être remplacés tous les 6 à 8 mois. Il est possible que le filtre doive être remplacé plus tôt ou plus tard, en fonction de la fréquence d'utilisation de votre purificateur d'air. En cas d'utilisation du purificateur d'air dans un environnement relativement pollué, il pourra être nécessaire de changer les filtres plus souvent.

Vous devrez peut-être remplacer vos filtres dans les cas suivants :

- Bruit plus prononcé lorsque le purificateur d'air fonctionne
- Réduction du flux d'air
- Odeurs inhabituelles
- Filtres visiblement obstrués

Pour préserver les performances de votre purificateur d'air, utilisez **uniquement** les filtres de la marque Levoit. Pour acheter des filtres de rechange, allez sur Amazon et cherchez la référence

B077GQ6PW8.



Nettoyage de la lentille du capteur de poussière

1. Débranchez le purificateur d'air.
2. Ouvrez le cache du capteur de poussière. [Figure 2.1]
3. Utilisez un coton-tige imbibé d'eau pour nettoyer la lentille du capteur de poussière. [Figure 2.2]
4. Essuyez la lentille à l'aide d'un coton-tige sec.

Remarque : ne retirez pas la partie en mousse fixée au cache du capteur de poussière **sauf si le service client le demande.** [Figure 2.3]

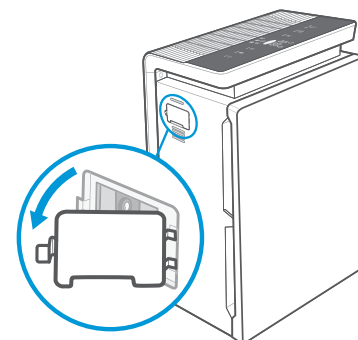


Figure 2.1

Stockage

Si vous ne comptez pas utiliser le purificateur d'air pendant une période prolongée, emballez le filtre dans un emballage en plastique et entreposez-le dans un endroit sec pour éviter tout dommage dû à l'humidité.

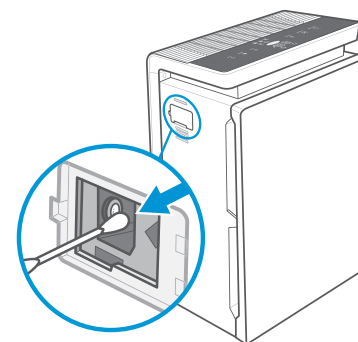


Figure 2.2

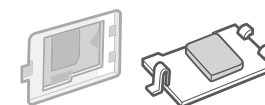


Figure 2.3

NETTOYAGE ET MAINTENANCE (SUITE)

Réinitialisation du témoin de vérification des filtres

Réinitialisez le témoin de vérification des filtres après avoir remplacé les filtres.

1. Branchez le purificateur d'air et allumez-le.
2. Localisez le bouton dans la grille de ventilation sur le côté du purificateur d'air. **[Figure 3.1]**
3. À l'aide d'un trombone, d'un petit tournevis à tête plate ou tout autre petit objet, appuyez sur le bouton de réinitialisation noir du témoin des filtres à l'intérieur de la grille de ventilation. **[Figure 3.1]**
4. Le témoin de vérification des filtres s'éteindra, indiquant ainsi que la réinitialisation est terminée.

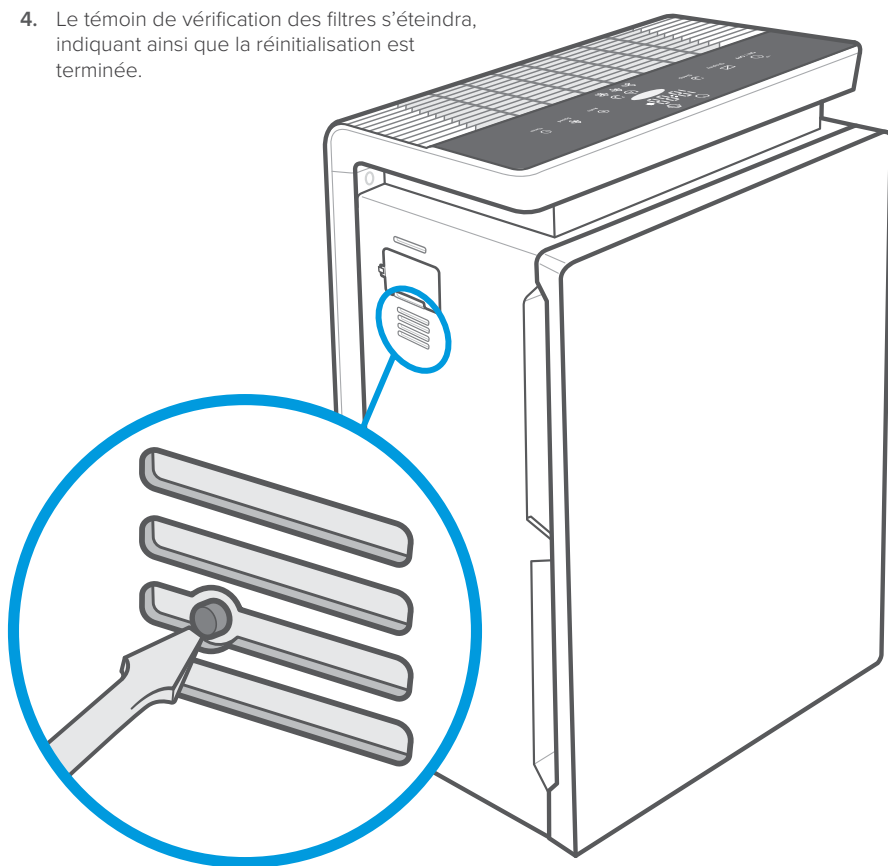



Figure 3.1

DÉPANNAGE

Problème	Solution possible
Le purificateur d'air ne s'allume pas ou les commandes des touches ne répondent pas.	Branchez le purificateur d'air.
	Vérifiez que le cordon d'alimentation n'est pas endommagé. Si c'est le cas, arrêtez d'utiliser le purificateur d'air et contactez le service client (voir page 47).
	Refermez correctement le cache du filtre pour activer l'interrupteur de sécurité (voir page 37).
	Branchez le purificateur d'air sur une autre prise.
Le purificateur d'air peut ne pas fonctionner correctement. Contactez le service client (voir page 47).	
Le témoin de la qualité de l'air reste rouge.	Nettoyez la lentille du capteur de poussière (voir page 43).
Le témoin de la qualité de l'air reste toujours bleu, alors que la qualité de l'air est mauvaise.	
Le purificateur d'air fait un bruit anormal lorsque le ventilateur fonctionne.	Assurez-vous que les filtres sont sortis de leur emballage et correctement placés (voir page 37).
	Remplacez les filtres (voir page 42).
	Le purificateur d'air peut être endommagé ou un objet étranger se trouve peut-être à l'intérieur. Arrêtez d'utiliser le purificateur d'air et contactez le service client (voir page 47). N'essayez pas de réparer vous-même le purificateur d'air.
Le débit d'air est significativement réduit.	Assurez-vous que les filtres ont été sortis de l'emballage.
	Appuyez sur  pour augmenter la vitesse du ventilateur.
	Assurez-vous qu'il y a au moins 38 cm (15 po) d'espace de chaque côté du purificateur d'air.
	Remplacez les filtres (voir page 42).
Le témoin de vérification des filtres reste allumé après avoir remplacé les filtres à air.	Réinitialisez le témoin de vérification des filtres (voir page 44).

DÉPANNAGE (SUITE)

Problème	Solution possible
Qualité de la purification d'air mauvaise.	Appuyez sur  pour augmenter la vitesse du ventilateur.
	Vérifiez qu'aucun objet n'obstrue le dessus ou les côtés du purificateur d'air (l'entrée ou la sortie).
	Assurez-vous que les filtres sont sortis de leur emballage et correctement placés (voir page 37).
	Fermez les portes et les fenêtres lorsque le purificateur d'air fonctionne.
	Assurez-vous que la pièce fait moins de 48 m ² (516 pi ²). Le purificateur d'air peut être moins efficace dans de plus grandes pièces.
	Nettoyez la lentille du capteur de poussière (voir page 43).
	Remplacez les filtres (voir page 42).
Le témoin de vérification des filtres ne s'est toujours pas allumé au bout de 8 mois.	Le témoin de vérification des filtres vous rappelle de vérifier les filtres et s'allumera en fonction de la durée d'utilisation du purificateur d'air (voir page 42). Si vous n'utilisez pas souvent votre purificateur d'air, le témoin mettra plus longtemps à s'allumer.
Le témoin de vérification des filtres s'est allumé avant un délai de 6 mois.	Le témoin de vérification des filtres vous rappelle de vérifier les filtres et s'allumera en fonction de la durée d'utilisation du purificateur d'air (voir page 42). Si vous utilisez régulièrement votre purificateur d'air, le témoin s'allumera plus tôt.
Le purificateur d'air s'éteint de manière aléatoire.	Le purificateur d'air ne fonctionne pas bien. Arrêtez d'utiliser le purificateur d'air et contactez le service client (voir page 47).

Si votre problème n'est pas repris dans la liste, contactez le **service client** (voir page 47).

INFORMATIONS RELATIVES À LA GARANTIE

Conditions générales et politique

Arovast Corporation garantit la plus haute qualité des matériaux, de la main-d'œuvre et du service associés à tous ses produits, pendant deux ans à partir de la date d'achat. La durée de garantie est susceptible de varier selon la catégorie de produit.

En cas de problème ou de question concernant votre nouveau produit, n'hésitez pas à contacter notre service client qui vous viendra en aide.

SERVICE CLIENT

Arovast Corporation
1202 N. Miller St., Suite A
Anaheim, CA 92806
États-Unis

Adresse e-mail : support.eu@levoit.com

*Veuillez avoir votre facture et votre numéro de commande à portée de main avant d'entrer en contact avec le service client.

LEA Y GUARDE ESTAS INSTRUCCIONES

Contenido de la caja

- 1 purificador de aire
- 1 filtro de carbón activado (ya instalado)
- 1 filtro combinado preliminar/True HEPA (ya instalado)
- 1 manual del usuario

Especificaciones

Fuente de alimentación	CA 220 V–240 V, 50/60 Hz
Potencia nominal	40 W
Alcance efectivo	≤48 m ² (516 ft ²)
Condiciones de funcionamiento	-10–40 °C (14–104 °F)
Nivel de ruido	23–52 dB
Tasa de emisión de aire limpio (CADR)	230 m ³ /h (135 CFM)
Consumo en modo de espera	< 0,8 W
Dimensiones	37,1 × 18,3 × 47 cm (14,6 × 7,2 × 18,5 in)
Peso	5,21 kg (11,49 lb)

INFORMACIÓN DE SEGURIDAD

Para reducir el riesgo de incendio, descarga eléctrica u otros daños, siga todas las instrucciones y directrices de seguridad.

Seguridad general

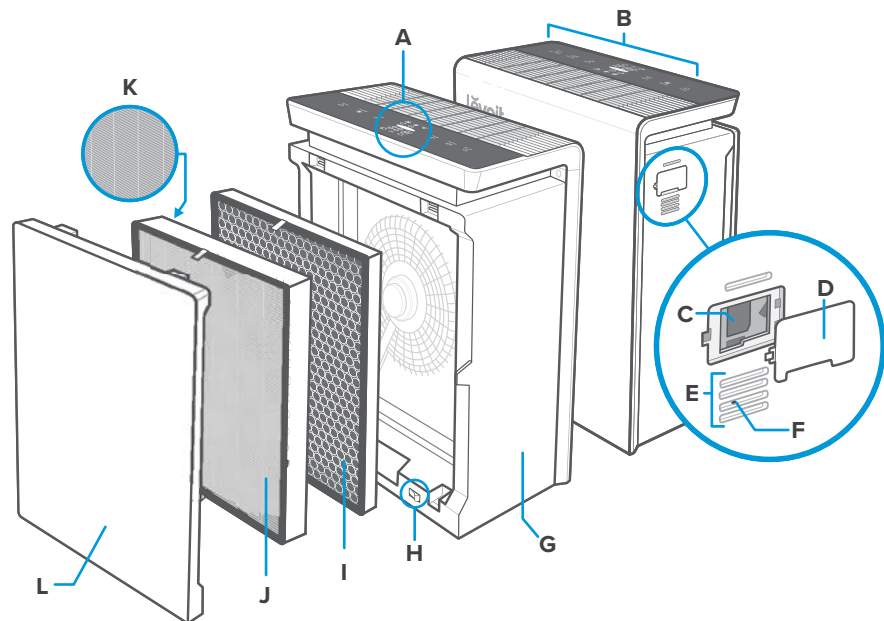
- Utilice el purificador de aire **exclusivamente** como se describe en este manual.
- **No** utilice el purificador de aire en exteriores.
- Mantenga el purificador de aire alejado del agua y de zonas húmedas o encharcadas. No lo sumerja **nunca** en agua ni en otros líquidos.
- Mantenga el purificador de aire alejado de fuentes de calor.
- **No** lo utilice en lugares donde haya gases combustibles, vapores, polvo metálico, aerosoles (espráis o pulverizadores) o humos de aceite industrial.
- Manténgalo a 1,5 m (5 ft) de lugares donde se esté administrando oxígeno.
- Vigile a los niños cuando estén cerca del purificador de aire.
- **No** coloque nada sobre las rejillas del purificador de aire, a menos que se indique en el manual.
- **No** se sienta en el purificador de aire ni coloque objetos pesados sobre él.
- Mantenga seco el interior del purificador de aire. Para evitar la formación de humedad, procure no colocarlo en habitaciones con grandes cambios de temperatura o debajo de aparatos de aire acondicionado.
- Desenchufe **siempre** el purificador de aire antes de realizar cualquier mantenimiento (por ejemplo, al cambiar los filtros).
- **No** utilice el purificador de aire si está averiado o no funciona correctamente, o si el enchufe o el cable están dañados. **No** intente repararlo usted mismo. Póngase en contacto con **Atención al Cliente** (consulte la página 62).
- **ADVERTENCIA:** para reducir el riesgo de incendios o descargas eléctricas, **no** utilice el purificador de aire con controles de velocidad de estado sólido (como un regulador de intensidad de luz).
- No diseñado para uso comercial, sino para uso **exclusivamente** doméstico.

Enchufe y cable

- Mantenga el purificador de aire cerca de la toma a la que esté enchufado.
- **Nunca** coloque el cable cerca de fuentes de calor.
- **No** tape el cable con felpudos, alfombras u objetos similares. **No** coloque el cable debajo de muebles o aparatos.
- Mantenga el cable alejado de las zonas de tránsito. Coloque el cable en un lugar donde nadie pueda tropezar con él.

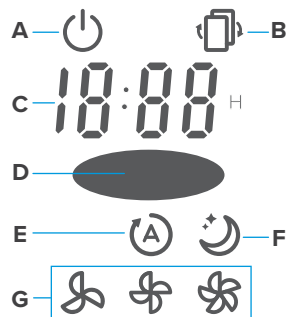
COMPONENTES DEL PURIFICADOR DE AIRE

- A. Pantalla LED
- B. Panel de control táctil
- C. Lente del sensor de polvo
- D. Tapa del sensor de polvo
- E. Rejilla del botón
- F. Botón de restablecimiento del indicador de filtros
- G. Carcasa
- H. Interruptor de seguridad
- I. Filtro de carbón activado
- J. Filtro preliminar fino
- K. Filtro True HEPA
- L. Tapa trasera



PANTALLA LED

- A. Indicador de encendido/apagado
- B. Indicador de comprobación de filtros
- C. Pantalla del temporizador
- D. Indicador de calidad del aire
- E. Modo automático
- F. Modo de suspensión
- G. Velocidad del ventilador



CONTROLES



Botón de encendido/apagado

- Enciende o apaga el purificador.



Botón de apagado de la pantalla

- Apaga la pantalla.
- Pulse cualquier botón (salvo el icono de encendido) para volver a encender la pantalla.



Botón del modo de suspensión

- Activa o desactiva el modo de suspensión (consulte la página 38).



Botón del modo automático

- Activa o desactiva el modo automático (consulte la página 39).



Botón de velocidad del ventilador

- Permite cambiar de una velocidad del ventilador a otra: baja, media o alta.
- La velocidad del ventilador no se puede cambiar cuando se esté en el modo automático o de suspensión.



Botón del temporizador

- Establece o cancela un temporizador (consulte la página 53).

Indicador de calidad del aire

- Muestra la calidad del aire mediante el sensor automático que hay dentro del purificador de aire.
- Puede que el purificador tarde hasta un minuto en detectar la calidad del aire.

Tabla del indicador de calidad del aire	
Color	Calidad del aire
Rojo	Mala
Amarillo	Moderada
Verde	Buena
Azul	Muy buena

PRIMEROS PASOS

1. Abra la tapa trasera del purificador de aire y quite el envoltorio de plástico de los filtros. (figura 1.1)
2. Vuelva a colocar la tapa trasera alineando las patillas de la tapa con las ranuras correspondientes de la base de la carcasa. Asegúrese de que la pieza triangular de la parte de abajo de la tapa toque el interruptor de seguridad. (figura 1.2)
3. Vuelva a colocar la tapa trasera encajando la parte de abajo de la tapa en las ranuras correspondientes de la parte inferior de la carcasa. Asegúrese de que la pieza triangular de la parte de abajo de la tapa toque el interruptor de seguridad. (figura 1.3)
4. Empuje la tapa para cerrarla.
5. Coloque el purificador de aire sobre una superficie sólida y lisa. Deje un espacio de 38 cm (15 in) alrededor del purificador. (figura 1.4)

Nota: No retire el trozo de gomaespuma que está pegado a la tapa del sensor de polvo a menos que Atención al Cliente se lo indique. (figura 1.5)

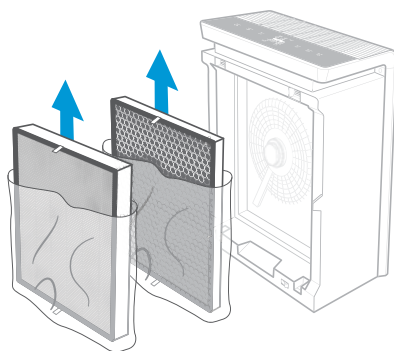


Figura 1.1

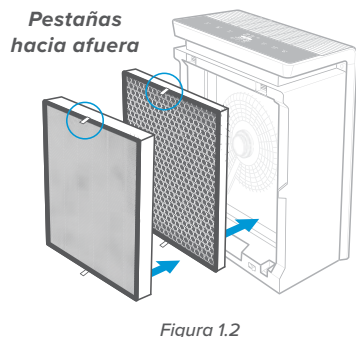


Figura 1.2

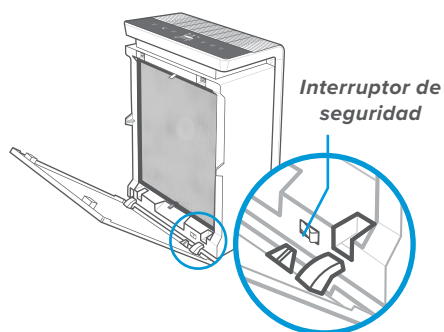


Figura 1.3

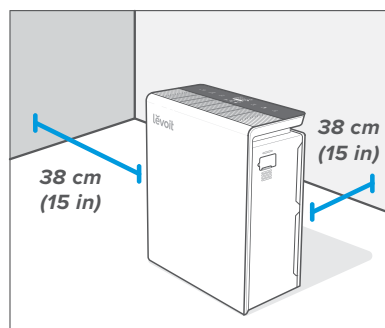


Figura 1.4

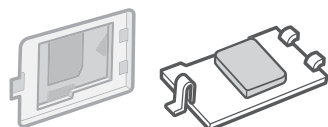


Figura 1.5

USAR EL PURIFICADOR DE AIRE

Funcionamiento general

1. Pulse para encender o apagar el purificador de aire. El ventilador del purificador empezará a funcionar automáticamente a baja velocidad.
2. Si desea aumentar la velocidad del ventilador, pulse . También puede seleccionar el modo automático o de suspensión o establecer un temporizador.

Nota:

- Para conseguir un mejor rendimiento, ponga el purificador de aire a velocidad alta entre 15 y 20 minutos antes de seleccionar una velocidad más baja o el modo automático.
- Si desea limpiar el aire de manera efectiva, mantenga las ventanas cerradas mientras el purificador de aire esté funcionando.

Temporizador

Puede configurar el temporizador con un valor entre 1 y 12 horas.

- Pulse varias veces para elegir una hora en incrementos de 1 hora. Cuando deje de pulsar , la pantalla parpadeará tres veces y se iniciará el temporizador.
- El purificador de aire se apagará automáticamente cuando el temporizador termine.
- Para cancelar un temporizador, pulse varias veces hasta que la pantalla indique “-:-” y parpadee 3 veces.

Función de memoria

Al conectar el purificador de aire, este recordará los ajustes que estaban programados al apagarse y volverá a aplicarlos al encenderse de nuevo.

Modo de suspensión

El modo de suspensión utiliza la velocidad de ventilador más baja posible para crear un entorno silencioso.

- Pulse para activar o desactivar el modo de suspensión.
- También puede salir de este modo pulsando o .

Apagado automático

Como medida de seguridad, el purificador de aire se apaga automáticamente si se retira la tapa trasera.

USAR EL PURIFICADOR DE AIRE (CONT.)

Modo automático

El modo automático emplea el sensor de polvo que hay dentro del purificador de aire para ajustar la velocidad del ventilador automáticamente en función de la calidad del aire. Por ejemplo, si la calidad del aire es mala, el ventilador se configurará automáticamente en velocidad alta.




- Pulse  para encender o apagar el modo automático.
- También puede salir de este modo pulsando  o .

Tabla del modo automático		
Color	Calidad del aire	Velocidad del ventilador
Rojo	Mala	Alta
Amarillo	Moderada	Media
Verde	Buena	Baja
Azul	Muy buena	Modo de suspensión

INFORMACIÓN SOBRE LOS FILTROS

Este purificador emplea un sistema de filtración de aire de 3 etapas para purificar el aire.

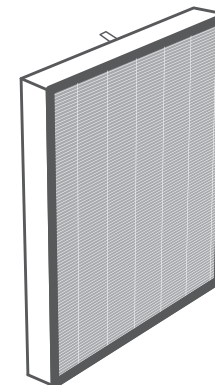
A. Filtro preliminar fino

- Atrapa partículas grandes como polvo, pelusas, fibras, cabello y pelo de animales domésticos.
- Protege el filtro True HEPA para alargar al máximo su vida útil.



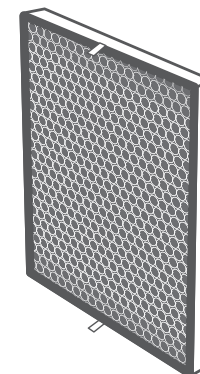
B. Filtro True HEPA

- Elimina al menos el 99,97 % de partículas en suspensión de 0,3 micrómetros (µm) de diámetro.
- Filtra partículas pequeñas, como esporas de moho, partículas minúsculas de polvo, componentes del humo y alérgenos, como el polen, la caspa y los ácaros.



C. Filtro de carbón activado de alta eficacia

- Adsorbe físicamente humos, olores y vapores.
- Filtra compuestos como el formaldehído, benceno, amoníaco, sulfuro de hidrógeno y compuestos orgánicos volátiles (COV).



CUIDADO Y MANTENIMIENTO

Limpiar el purificador de aire

Limpe el exterior del purificador de aire con un paño seco. **No** lo limpie con agua ni ningún otro líquido para evitar el riesgo de descarga eléctrica.

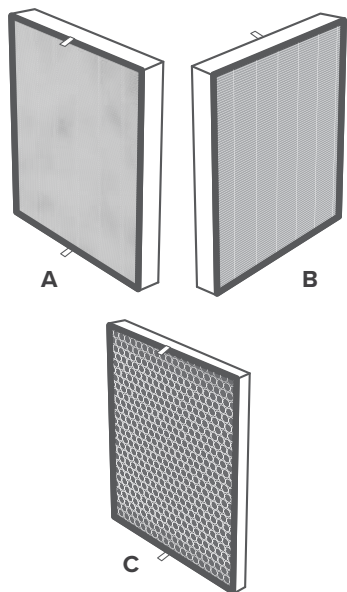
Indicador de comprobación de filtros

El indicador de comprobación de filtros se encenderá para recordarle que debe comprobar los filtros. En función de cuánto utilice el purificador de aire, el indicador debería encenderse a los 6–8 meses. Aunque quizás aún no sea necesario cambiar los filtros, debe comprobarlos si la luz del indicador se enciende.

Para restablecer el indicador de comprobación de filtros, pulse el botón negro de restablecimiento que hay en la rejilla del lateral del purificador de aire (consulte la página 59).

Limpeza de los filtros

- Conviene limpiar el filtro preliminar fino una vez al mes para mejorar su eficacia y prolongar su vida útil. Limpie el filtro preliminar fino con un cepillo o un aspirador para eliminar cabellos, polvo y partículas grandes.
- No** limpie el filtro True HEPA. Si lo hace, el polvo fino o las bacterias podrían volver al aire. Limpie **solo** el filtro preliminar fino.
- El filtro de carbón activado no precisa limpieza.



CUIDADO Y MANTENIMIENTO (CONT.)

Cambiar los filtros

- Desenchufe el purificador de aire y retire la tapa trasera.
- Extraiga los filtros antiguos y deséchelos convenientemente.
- Desembale los filtros nuevos. Coloque el filtro de carbón activado dentro de la carcasa. Asegúrese de que todas las pestañas de extracción estén mirando hacia afuera.
- Coloque el filtro combinado True HEPA/preliminar fino dentro de la carcasa. Asegúrese de que todas las pestañas de extracción estén mirando hacia afuera.
- Vuelva a colocar la tapa trasera. El purificador de aire no se encenderá hasta que la tapa trasera se coloque correctamente.
- Restablezca el indicador de comprobación del filtro (consulte la página 59).

¿Cuándo hay que cambiar los filtros?

Los filtros se deben cambiar cada 6-8 meses. Puede que tenga que cambiar los filtros antes o después en función de la frecuencia con la que use el purificador de aire. Si utiliza el purificador de aire en un entorno con contaminación relativamente alta, es posible que tenga que cambiar el filtro más a menudo.

Deberá cambiar los filtros si aprecia:

- más ruido cuando el purificador de aire está funcionando;
- menor flujo de aire;
- olores inusuales;
- filtros obstruidos a simple vista.

Con el fin de mantener el buen rendimiento del purificador de aire, utilice **solo** filtros originales de Levoit. Si desea adquirir filtros de repuesto, vaya a Amazon y busque **B077GQ6PW8**.



CUIDADO Y MANTENIMIENTO (CONT.)

Limpiar la lente del sensor de polvo

1. Desenchufe el purificador de aire.
2. Abra la tapa del sensor de polvo. *(figura 2.1)*
3. Limpie la lente del sensor de polvo con un bastoncillo empapado en agua. *(figura 2.2)*
4. Seque la lente con un bastoncillo seco.

Nota: No retire el trozo de gomaespuma que está pegado a la tapa del sensor de polvo a menos que Atención al Cliente se lo indique. *(figura 2.3)*

Almacenamiento

Si no va a utilizar el purificador de aire durante un tiempo prolongado, embale el filtro en plástico y guárdelo en un lugar seco para que no se dañe con la humedad.

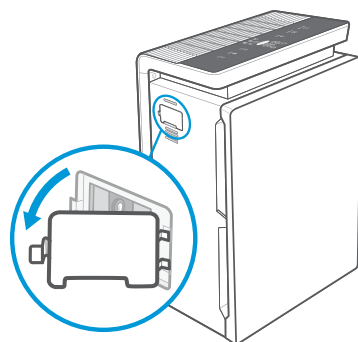


Figura 2.1

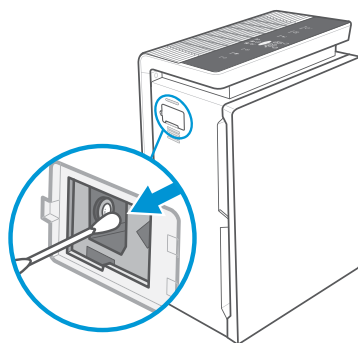


Figure 2.2

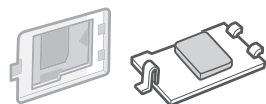


Figura 2.3

CUIDADO Y MANTENIMIENTO (CONT.)

Restablecer el indicador de comprobación del filtro

Restablezca el indicador de comprobación de filtros después de cambiar los filtros.

1. Enchufe el purificador de aire y enciéndalo.
2. Localice la rejilla del botón en el lateral del purificador de aire. *(figura 3.1)*
3. Pulse el botón negro de restablecimiento del indicador de filtros que hay dentro de la rejilla con un clip, un destornillador de cabeza plana o un objeto pequeño. *(figura 3.1)*
4. El indicador de comprobación de filtros se apagará, con lo que el restablecimiento se habrá completado.

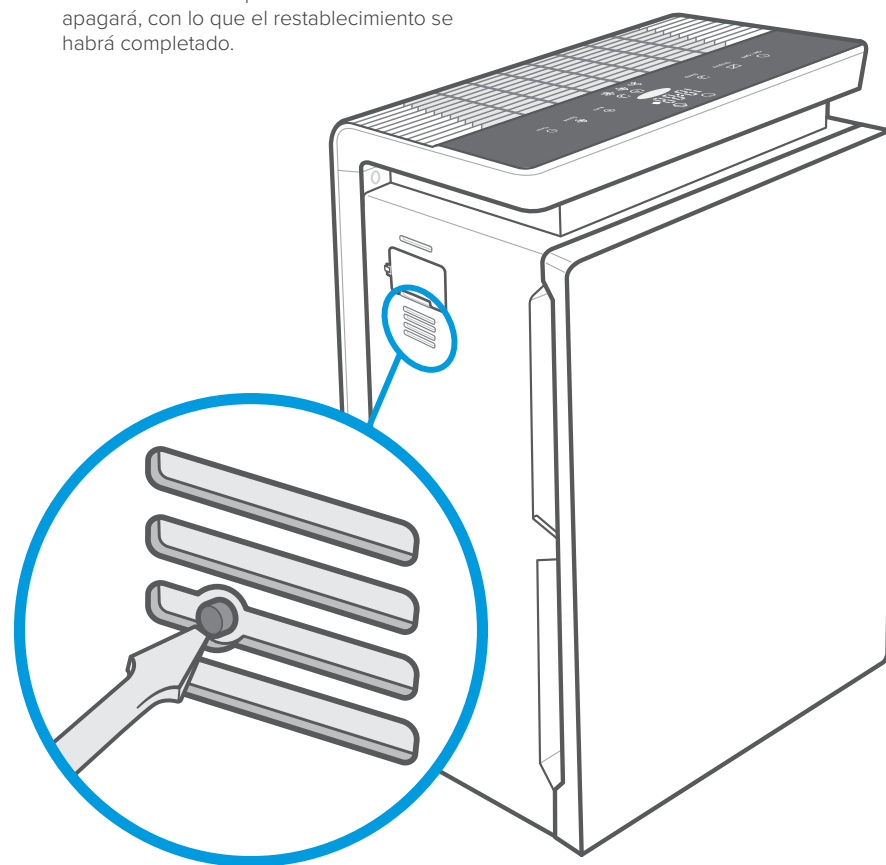




Figura 3.1

SOLUCIÓN DE PROBLEMAS

Problema	Posible solución
El purificador de aire no se enciende o no responde a los botones de control.	Enchufe el purificador de aire.
	Compruebe si el cable de alimentación está dañado. Si es así, deje de usar el purificador de aire y póngase en contacto con Atención al Cliente (consulte la página 59).
	Cierre firmemente la tapa del filtro de modo que se active el interruptor de seguridad (consulte la página 52).
	Enchufe el purificador de aire en otra toma.
	Es posible que el purificador de aire no funcione bien. Póngase en contacto con Atención al Cliente (consulte la página 59).
El indicador de calidad del aire siempre está rojo.	Limpie la lente del sensor de polvo (consulte la página 58).
El indicador de calidad del aire siempre está azul, aunque la calidad del aire es mala.	
El purificador de aire hace un ruido raro mientras el ventilador está encendido.	Asegúrese de que se han desembalado los filtros y se han colocado en el lugar correcto (consulte la página 52).
	Cambie los filtros (consulte la página 57).
	Puede que el purificador de aire esté averiado o que contenga un objeto extraño. Deje de usar el purificador de aire y póngase en contacto con Atención al Cliente (consulte la página 59). No intente reparar el purificador de aire.
El flujo de aire ha disminuido considerablemente.	Asegúrese de que se ha retirado el embalaje de los filtros.
	Pulse  para aumentar la velocidad del ventilador.
	Deje un espacio de 38 cm (15 in) alrededor del purificador.
	Cambie los filtros (consulte la página 57).
Compruebe si el indicador de comprobación de filtros sigue encendido después de cambiar los filtros de aire.	Restablezca el indicador de comprobación de filtros (consulte la página 59).

SOLUCIÓN DE PROBLEMAS (CONT.)

Problema	Posible solución
La calidad de purificación del aire es mala.	Pulse  para aumentar la velocidad del ventilador.
	Asegúrese de que ningún objeto tape la parte superior ni los laterales del purificador de aire (entrada o salida).
	Asegúrese de que se han desembalado los filtros y se han colocado en el lugar correcto (consulte la página 52).
	Cierre las puertas y ventanas mientras utilice el purificador de aire.
	Asegúrese de que la habitación no tenga más de 48 m ² (516 ft ²). Es posible que el purificador de aire no resulte efectivo en habitaciones más grandes.
	Limpie la lente del sensor de polvo (consulte la página 58).
	Cambie los filtros (consulte la página 57).
El indicador de comprobación de filtros lleva 8 meses sin encenderse.	El indicador de comprobación de filtros es un recordatorio para que compruebe los filtros y se enciende en función del tiempo que se haya utilizado el purificador de aire (consulte la página 57). Si no utiliza el purificador de aire muy a menudo, el indicador de comprobación del filtro tardará más tiempo en activarse.
El indicador de comprobación de filtros se ha activado antes de 6 meses.	El indicador de comprobación de filtros es un recordatorio para que compruebe los filtros y se enciende en función del tiempo que se haya utilizado el purificador de aire (consulte la página 57). Si utiliza el purificador de aire con frecuencia, el indicador de comprobación de filtros se encenderá antes.
El purificador de aire se apaga de vez en cuando.	El purificador de aire no funciona bien. Deje de usar el purificador de aire y póngase en contacto con Atención al Cliente (consulte la página 59).

Si su problema no aparece aquí, póngase en contacto con **Atención al Cliente** (consulte la página 59).

INFORMACIÓN SOBRE LA GARANTÍA

Condiciones y política

Arovast Corporation garantiza la máxima calidad de todos los productos en cuanto a material, fabricación y servicio durante 2 años desde la fecha de compra hasta el final del periodo de garantía. La duración de la garantía puede variar en función de la categoría del producto.

Si tiene algún problema o dudas relacionadas con su nuevo producto, póngase en contacto con nuestro equipo de Atención al Cliente.

ATENCIÓN AL CLIENTE

Arovast Corporation

1202 N. Miller St., Suite A
Anaheim, CA 92806
EE. UU.

Correo electrónico: support.eu@levoit.com

*Antes de ponerse en contacto con Atención al Cliente, tenga a mano su factura y número de pedido.

Italiano
Manuale di istruzioni

Purificatore d'aria True HEPA
Modello: LV-PUR131

Contenuto della confezione

- 1 purificatore d'aria
- 1 filtro a carboni attivi (preinstallato)
- 1 prefiltro/filtro combinato True HEPA (preinstallato)
- 1 manuale di istruzioni

Specifiche

Alimentazione elettrica	c.a. 220 V–240 V, 50/60 Hz
Potenza nominale	40 W
Campo d'azione effettivo	≤ 48 m ² / 516 piedi ²
Condizioni di funzionamento	-10°–40°C / 14°–104°F
Livello di rumore	23–52 dB
CADR (tasso di emissione di aria pulita)	230 m ³ /h / 135 CFM
Energia di riserva	< 0,8 W
Dimensioni	37,1 x 18,3 x 47 cm / 14,6 x 7,2 x 18,5 pollici
Peso	5,21 kg / 11,49 libbre

LEGGERE E CONSERVARE QUESTE ISTRUZIONI

INFORMAZIONI DI SICUREZZA

Per ridurre il rischio di incendi, scosse elettriche o altri infortuni, seguire tutte le istruzioni e le linee guida di sicurezza.

Sicurezza generale

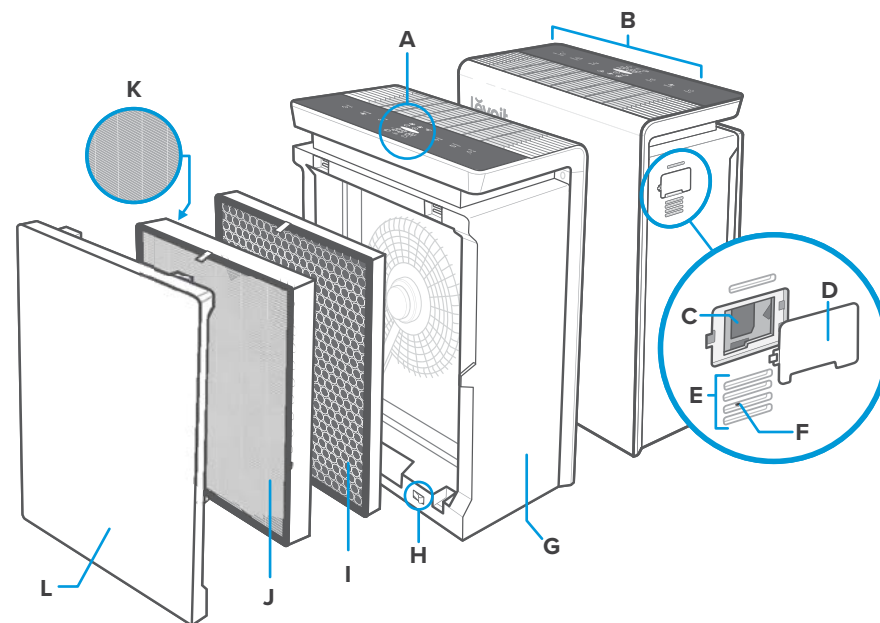
- Usare il purificatore d'aria **solo** nel modo descritto in questo manuale.
 - **Non** utilizzare il purificatore d'aria all'aperto.
 - Tenere il purificatore d'aria lontano dall'acqua e da luoghi bagnati o umidi. Non immergerlo **mai** in acqua o altri liquidi.
 - Tenere il purificatore d'aria lontano da fonti di calore.
 - **Non** utilizzarlo in presenza di gas combustibili, vapori, polvere metallica, prodotti aerosol (spray) o fumi prodotti da oli industriali.
 - Mantenere a una distanza di 1,5 m (5 piedi) dal punto di somministrazione dell'ossigeno.
 - Sorvegliare i bambini in prossimità del purificatore d'aria.
 - **Non** introdurre nulla nelle aperture del purificatore d'aria, a meno che non sia indicato nel manuale.
 - **Non** sedersi sul purificatore d'aria e non appoggiarvi oggetti pesanti.
 - Mantenere asciutto l'interno del purificatore d'aria. Per evitare la formazione di umidità, evitare di collocarlo in locali con grandi variazioni di temperatura o sotto a condizionatori d'aria.
- Scollegare **sempre** il purificatore d'aria dall'alimentazione elettrica prima di ogni intervento di manutenzione (ad esempio, quando si sostituiscono i filtri).
 - **Non** utilizzare il purificatore d'aria se è danneggiato o malfunzionante oppure se il cavo o la spina sono danneggiati. **Non** cercare di ripararlo. Contattare l'**Assistenza Clienti** (v. pag. 76).
 - **AVVERTENZA:** per ridurre il rischio di incendi o scosse elettriche, **non** utilizzare questo purificatore d'aria con dispositivi di controllo della velocità a stato solido (come un regolatore di luminosità).
 - Il prodotto non può essere utilizzato per fini commerciali, ma è destinato **esclusivamente** a uso domestico.

Spina e cavo

- Tenere il purificatore d'aria vicino alla presa a cui è collegato.
- **Non** collocare mai il cavo vicino a una fonte di calore.
- **Non** coprire il cavo con tappeti, moquette o altri rivestimenti. **Non** collocare il cavo sotto mobili o elettrodomestici.
- Posizionare il cavo lontano da aree con un passaggio frequente di persone. Collocare il cavo in modo tale da evitare il rischio di inciampi.

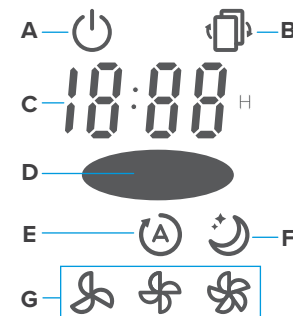
COMPONENTI DEL PURIFICATORE D'ARIA

- | | | |
|-------------------------------------|---|----------------------------|
| A. Display LED | E. Griglia di ventilazione | I. Filtro a carboni attivi |
| B. Pannello di controllo tattile | F. Pulsante di azzeramento dell'indicatore filtri | J. Prefiltro fine |
| C. Lente del sensore di polvere | G. Alloggiamento | K. Filtro True HEPA |
| D. Coperchio del sensore di polvere | H. Interruttore di sicurezza | L. Parete posteriore |



DISPLAY LED

- A. Indicatore acceso/spento (On/Off)
- B. Indicatore di controllo filtri
- C. Visualizzazione timer
- D. Indicatore della qualità dell'aria
- E. Modalità automatica
- F. Modalità sospensione
- G. Velocità ventola



COMANDI



Pulsante Acceso/Spento (ON/OFF)

- Accende e spegne il purificatore.



Pulsante display spento (Off)

- Spegne il display.
- Per riaccendere il display, premere qualsiasi pulsante (eccetto).



Pulsante modalità sospensione

- Attiva e disattiva la modalità di sospensione (v. pag. 68).



Pulsante di modalità automatica

- Accende e spegne la modalità automatica (v. pag. 69).



Pulsante velocità ventola

- Scorre le velocità della ventola: bassa, media e alta.
- La velocità della ventola non può essere modificata durante la modalità automatica o quella di sospensione



Pulsante del timer

- Imposta o annulla un timer (v. pag. 68).

Indicatore della qualità dell'aria

- Visualizza la qualità dell'aria rilevata per mezzo del sensore automatico interno del purificatore d'aria.
- Il purificatore d'aria può impiegare fino a 1 minuto per rilevare la qualità dell'aria.

Tabella indicatore qualità dell'aria	
Colore	Qualità dell'aria
Rosso	Cattiva
Giallo	Moderata
Verde	Buona
Blu	Ottima

PREPARAZIONE

1. Aprire la parete posteriore del purificatore d'aria ed estrarre entrambi i filtri dalla rispettiva confezione in plastica. **[Fig. 1.1]**
2. Inserire nuovamente il filtro a carboni attivi nel purificatore d'aria, seguito dal prefiltro fine/filtro combinato True HEPA. Controllare che le linguette a strappo di entrambi i filtri siano rivolte verso l'esterno. **[Fig. 1.2]**
3. Rimontare la parete posteriore allineandone i piedini con gli incavi situati sulla parte bassa dell'alloggiamento. Controllare che l'elemento triangolare sulla parte bassa della parete tocchi l'interruttore di sicurezza. **[Fig. 1.3]**
4. Spingere la parete per chiuderla.
5. Sistemare il purificatore d'aria su una superficie dura e piatta. Lasciare uno spazio di 38 cm (15 pollici) tutto intorno al purificatore. **[Fig. 1.4]**

Nota: non rimuovere il pezzo in schiuma applicato al coperchio del sensore polvere, a meno che non venga richiesto dall'Assistenza Clienti. **[Fig. 1.5]**

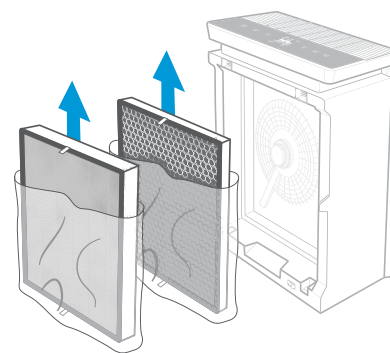


Fig. 1.1

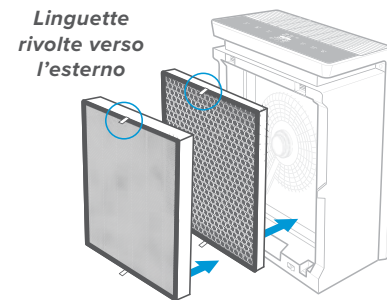


Fig. 1.2

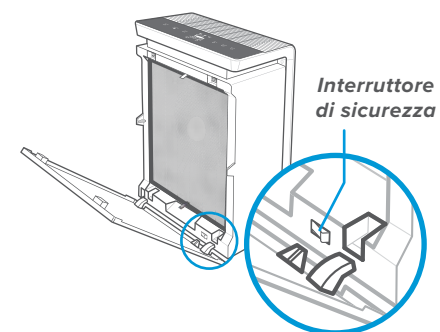


Fig. 1.3

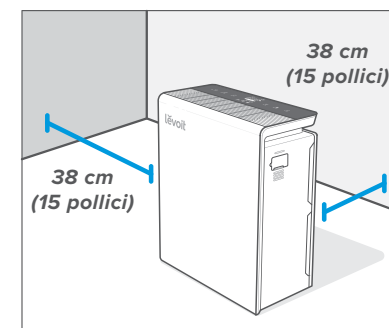


Fig. 1.4

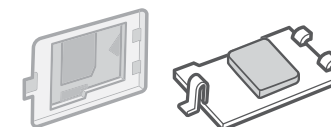




Fig. 1.5

USO DEL PURIFICATORE D'ARIA

Funzionamento generale




1. Per accendere/spengere il purificatore d'aria, premere . La ventola del purificatore d'aria si avvia automaticamente a bassa velocità.
2. Come opzione facoltativa, premere  per aumentare la velocità della ventola. Si può anche selezionare la modalità automatica o di sospensione oppure impostare un timer.

Nota bene:

- Per ottenere risultati ottimali, usare il purificatore d'aria alla massima velocità per 15–20 minuti, quindi selezionare una velocità più bassa o la modalità automatica.
- Per pulire l'aria efficacemente, tenere le finestre chiuse mentre il purificatore d'aria è in funzione.




Modalità sospensione

La modalità di sospensione utilizza la ventola alla più bassa velocità possibile per creare un ambiente silenzioso.

- Premere  per attivare/disattivare la modalità di sospensione.
- Si esce dalla modalità sospensione anche premendo  o .

Timer

Il timer può essere impostato su una durata da 1 a 12 ore.

- Premere  ripetutamente per scegliere una durata in incrementi di 1 ora. Quando si smette di premere , il display lampeggia 3 volte e il timer si avvia.
- Il purificatore d'aria si spegne automaticamente quando il timer si arresta.
- Per annullare un timer, premere  ripetutamente fin quando il display visualizza “-:-” e lampeggia 3 volte.

Funzione memoria

Quando il purificatore d'aria è collegato all'elettricità, ricorda le impostazioni programmate anche da spento e le riprende una volta riacceso.

Spegnimento automatico

Per motivi di sicurezza, il purificatore d'aria si spegne automaticamente se la parete posteriore viene rimossa.

USO DEL PURIFICATORE D'ARIA (CONT.)

Modalità automatica

La modalità automatica utilizza il sensore di polvere situato all'interno del purificatore d'aria per regolare automaticamente la velocità della ventola in base alla qualità dell'aria. Ad esempio, se l'aria è di cattiva qualità, la ventola viene impostata automaticamente sulla velocità più elevata.




- Premere  per attivare/disattivare la modalità automatica.
- Si esce dalla modalità automatica anche premendo  o .

Tabella modalità automatica

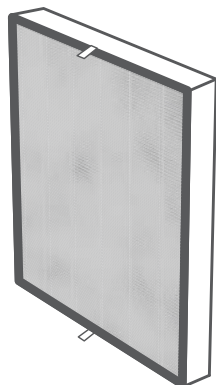
Colore	Qualità dell'aria	Velocità ventola
Rosso	Cattiva	Alta
Giallo	Moderata	Media
Verde	Buona	Bassa
Blu	Ottima	Modalità sospensione

I FILTRI

Il purificatore d'aria utilizza un sistema di filtrazione a 3 fasi.

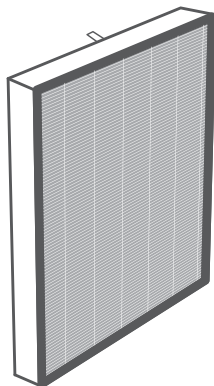
A. Prefiltro fine

- Trattiene il particolato più grande, come polvere, lanugine, fibre, capelli e peli di animali.
- Protegge il filtro True HEPA e ne massimizza la durata.



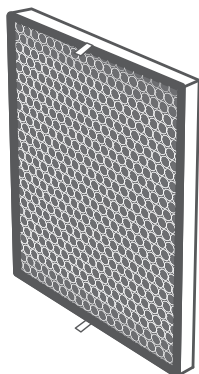
B. Filtro True HEPA

- Elimina almeno il 99,97% di particolato aerodisperso con un diametro di 0,3 micrometri (μm).
- Filtra particolato più piccolo, come spore di muffe, particelle di polvere fine, parti di fumo e allergeni come polline, cellule morte della pelle e acari.



C. Filtro a carboni attivi ad alta efficienza

- Assorbe fisicamente fumo, odori e vapori.
- Filtra composti come formaldeide, benzene, ammoniaca, acido solfidrico e composti organici volatili (COV).



CURA E MANUTENZIONE

Pulizia del purificatore d'aria

Pulire l'esterno del purificatore d'aria con un panno asciutto. **Non** pulirlo con acqua o altri liquidi per evitare il rischio di una scossa elettrica.

Indicatore di controllo filtri

L'indicatore di controllo dei filtri si accende per ricordare di controllarli. A seconda della frequenza d'uso del purificatore d'aria, l'indicatore dovrebbe accendersi entro 6–8 mesi. È possibile che non sia ancora necessario sostituire i filtri ma, se la spia si accende, si consiglia di controllarli.

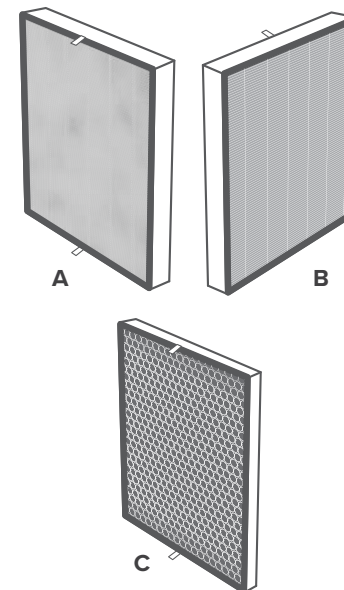
Per azzerare l'indicatore di controllo filtri, premere l'apposito pulsante nero all'interno della presa d'aria situata sul lato del purificatore (v. pag. 73).

Pulizia dei filtri

- Il prefiltro fine va pulito una volta al mese per aumentarne l'efficienza e prolungarne la durata. Pulire il prefiltro servendosi di una spazzola o di un tubo d'aspirazione per eliminare capelli, polvere e il particolato più grande.
- Non** pulire il filtro True HEPA. In caso di pulizia, le polveri sottili o i batteri potrebbero disperdersi nuovamente nell'aria. Pulire **solo** il prefiltro fine.
- Il filtro a carboni attivi non richiede interventi di pulizia.

Sostituzione dei filtri

- Scollegare il purificatore d'aria dalla presa elettrica e staccare la parete posteriore.
- Rimuovere i filtri vecchi e smaltirli nel modo corretto.
- Estrarre i filtri nuovi dalla confezione. Inserire il filtro a carboni attivi nell'alloggiamento. Controllare che le linguette siano rivolte verso l'esterno.
- Installare il prefiltro fine/filtro combinato True HEPA nell'alloggiamento. Controllare che le linguette a strappo siano rivolte verso l'esterno.
- Rimontare la parete posteriore. Il purificatore d'aria non si accende se la parete posteriore non viene rimontata correttamente.
- Azzerare l'indicatore di controllo dei filtri (v. pag. 73).



Quando sostituire i filtri?

I filtri dovrebbero essere sostituiti ogni 6–8 mesi. La necessità di sostituire il filtro più o meno spesso dipende dalla frequenza d'uso del purificatore d'aria. Se si usa il purificatore in un ambiente con un livello d'inquinamento relativamente elevato, i filtri vanno sostituiti più frequentemente.

Potrebbe essere necessario sostituire i filtri se si notano le seguenti condizioni:

- Aumentata rumorosità quando il purificatore d'aria è acceso
- Diminuzione del flusso d'aria
- Odori insoliti
- Filtri visibilmente intasati

Per garantire l'efficacia del purificatore d'aria, utilizzare **solo** filtri Levoit originali. Per acquistare filtri di ricambio, andare su Amazon e cercare **B077GQ6PW8**.

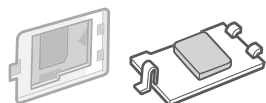


Fig. 2.3

Pulizia della lente del sensore di polvere

1. Staccare la spina del purificatore d'aria.
2. Aprire il coperchio del sensore di polvere. [Fig. 2.1]
3. Pulire la lente del sensore di polvere utilizzando un tampone di cotone inumidito in acqua. [Fig. 2.2]
4. Asciugare la lente con un tamponcino asciutto.

Nota: non rimuovere il pezzo in schiuma applicato al coperchio del sensore polvere, a meno che non venga richiesto dall'Assistenza Clienti. [Fig. 2.3]

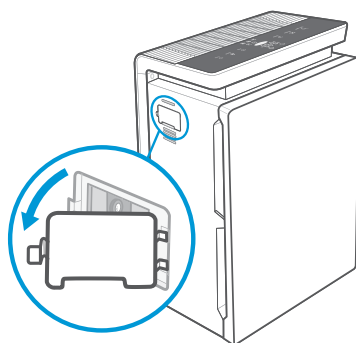


Fig. 2.1

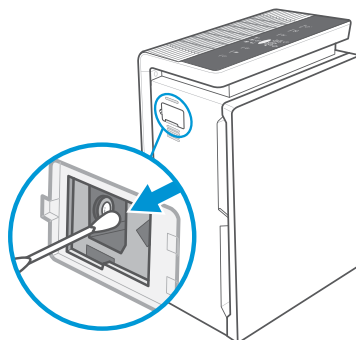


Fig. 2.2

Azzeramento dell'indicatore di controllo filtri

Dopo la sostituzione dei filtri, azzerare l'indicatore di controllo filtri.

1. Collegare il purificatore d'aria alla presa e riaccenderlo.
2. Individuare la presa d'aria dotata di pulsante sul lato del purificatore d'aria. [Fig. 3.1]
3. Servirsi di una graffetta, di un piccolo cacciavite a testa piatta o di un altro oggetto di piccole dimensioni per premere il pulsante nero di azzeramento dell'indicatore dei filtri situato all'interno della presa d'aria. [Fig. 3.1]
4. L'indicatore di controllo dei filtri si spegne per indicare che la reimpostazione è stata completata.

Conservazione

Se non si intende utilizzare il purificatore d'aria per un periodo prolungato, avvolgere il filtro in un imballaggio di plastica e riporlo in un luogo asciutto per evitare che venga danneggiato dall'umidità.

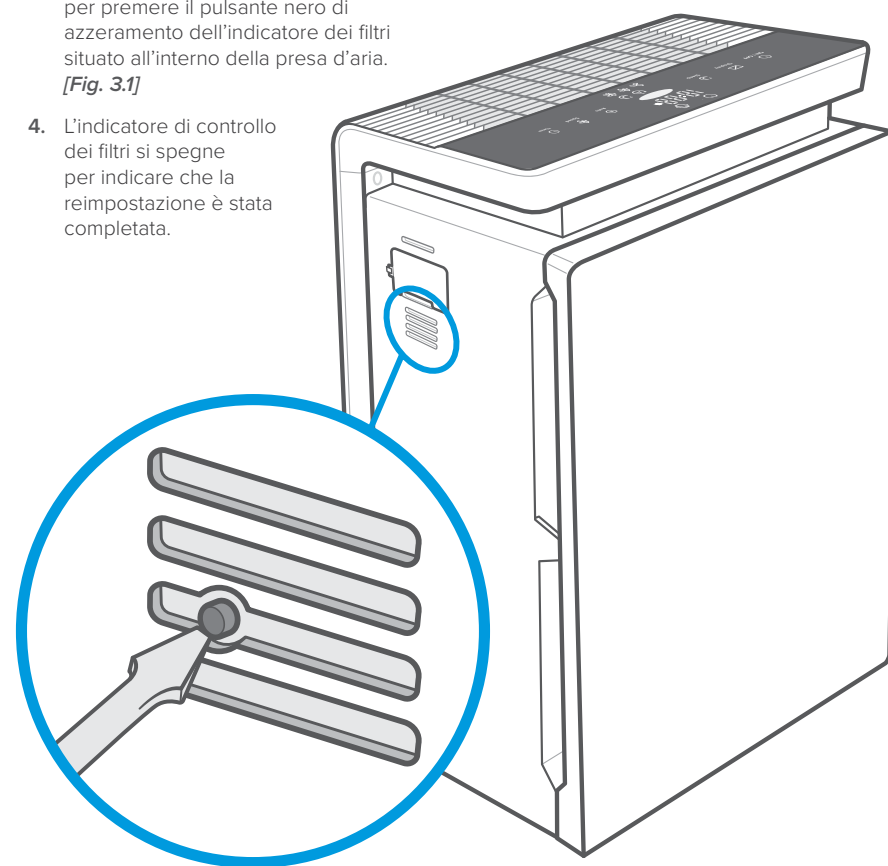




Fig. 3.1

RISOLUZIONE DEI PROBLEMI

Problema	Possibile rimedio
Il purificatore d'aria non si accende o non risponde ai comandi dei pulsanti.	Inserire la spina del purificatore d'aria nella presa.
	Accertarsi che il cavo elettrico non sia danneggiato. In caso positivo, interrompere l'uso del purificatore d'aria e contattare l' Assistenza Clienti (v. pag. 76).
	Chiudere correttamente il coperchio del filtro, in modo che l'interruttore di sicurezza sia attivato (v. pag. 67).
	Inserire la spina del purificatore d'aria in un'altra presa.
	È possibile che il purificatore non funzioni correttamente. Contattare l' Assistenza Clienti (v. pag. 76).
L'indicatore della qualità dell'aria rimane sempre di colore rosso.	Pulire la lente del sensore di polvere (v. pag. 72).
L'indicatore della qualità dell'aria rimane sempre di colore blu, anche se la qualità dell'aria è insoddisfacente.	
Il purificatore dell'aria fa uno strano rumore quando la ventola è accesa.	Controllare che i filtri siano stati estratti dalla confezione e si trovino nella posizione corretta (v. pag. 67).
	Sostituire i filtri (v. pag. 71).
	Il purificatore d'aria potrebbe essere danneggiato, oppure un oggetto estraneo potrebbe essere al suo interno. Interrompere l'uso del purificatore e contattare l' Assistenza Clienti (v. pag. 76). Non provare a riparare il purificatore d'aria.
Il flusso d'aria è diminuito significativamente.	Controllare che i filtri siano stati estratti dalla confezione.
	Per aumentare la velocità della ventola, premere  .
	Lasciare uno spazio di 38 cm / 15 pollici tutto intorno al purificatore.
	Sostituire i filtri (v. pag. 71).
L'indicatore di controllo filtri è ancora acceso dopo la sostituzione dei filtri dell'aria.	Azzerare l'indicatore di controllo filtri (v. pag. 73).

RISOLUZIONE DEI PROBLEMI (CONT.)

Problema	Possibile rimedio
Qualità della purificazione dell'aria insoddisfacente.	Per aumentare la velocità della ventola, premere  .
	Controllare che nessun oggetto stia bloccando la parte superiore o i lati del purificatore (i punti di ingresso o di uscita).
	Controllare che i filtri siano stati estratti dalla confezione e si trovino nella posizione corretta (v. pag. 67).
	Chiudere porte e finestre quando il purificatore d'aria è in funzione.
	Accertarsi che il locale non misuri più di 48 m ² / 516 piedi ² . Il purificatore d'aria potrebbe non essere efficace in locali più grandi.
	Pulire la lente del sensore di polvere (v. pag. 72).
	Sostituire i filtri (v. pag. 71).
L'indicatore di controllo filtri non si è acceso entro 8 mesi.	L'indicatore ricorda di controllare i filtri e si accende in base alla durata di utilizzo del purificatore (v. pag. 72). Se il purificatore non viene usato spesso, passa più tempo prima che l'indicatore si accenda.
L'indicatore di controllo filtri si è acceso prima che siano passati i 6 mesi.	L'indicatore ricorda di controllare i filtri e si accende in base alla durata di utilizzo del purificatore (v. pag. 72). Se il purificatore d'aria si utilizza spesso, l'indicatore si accende prima.
Il purificatore d'aria si spegne casualmente.	Il purificatore d'aria non funziona correttamente. Interrompere l'uso del purificatore e contattare l' Assistenza Clienti (v. pag. 76).

Se il problema riscontrato non è riportato in questa tabella, contattare l'**Assistenza Clienti** (v. pag. 76).

lěvoit

levoit.com